



# FOLDING DOOR SYSTEM

SERIES 700 - FOLDING DOORS (FD1)

1503 W. San Pedro St., Gilbert, Arizona 85233

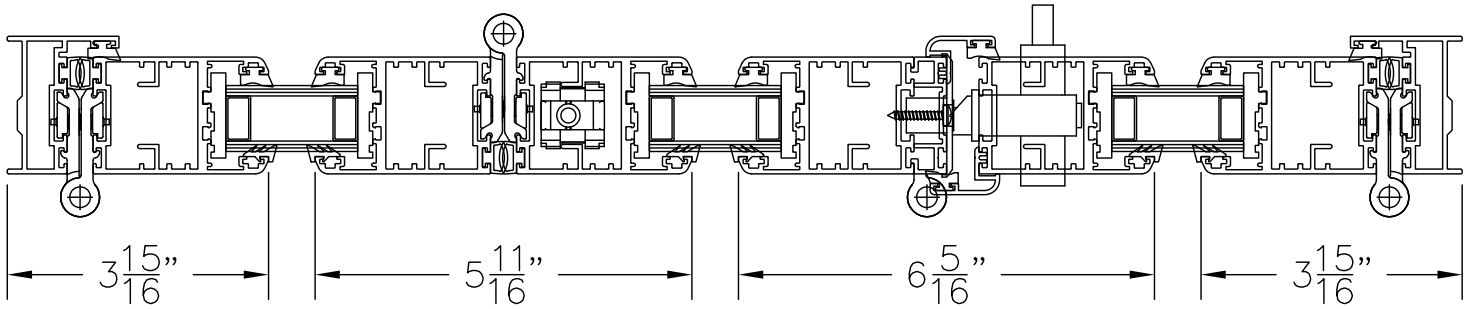
VOICE: 480-892-2600 / FAX : 480-892-0951

# L6

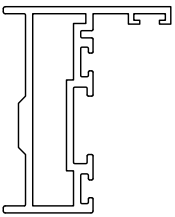
DATE:

1/25/13

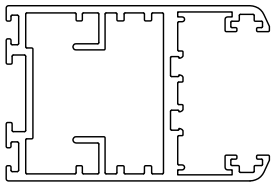
DRAWINGS\BROPAGES\L6.DWG



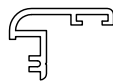
SCALE 1:3



#704



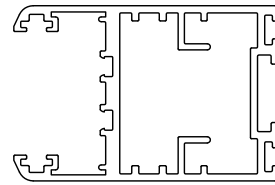
#701



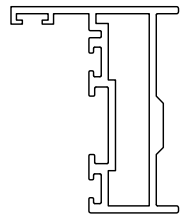
#703



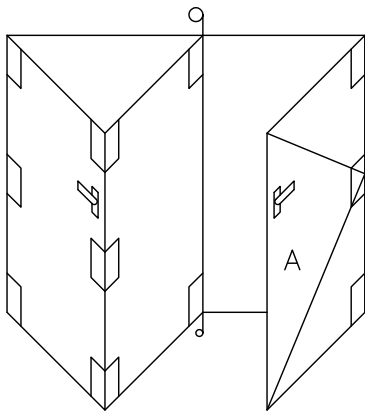
#706



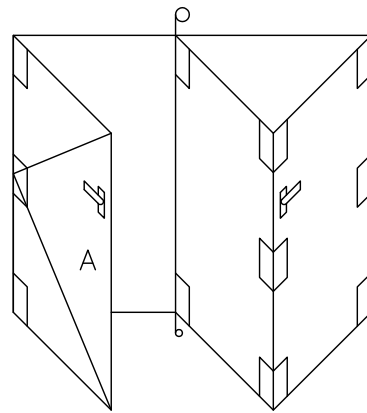
#701



#704



2L1RS0  
2L1RSI



2L1RS0  
2L1RSI

## HORIZONTAL SECTION THROUGH FOLDING DOOR DOUBLE GLAZED

SCALE: 1:2