



FOLDING DOOR SYSTEM

SERIES 700 - FOLDING DOORS (FD1)

1503 W. San Pedro St., Gilbert, Arizona 85233

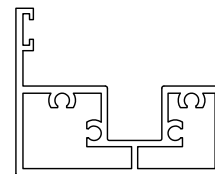
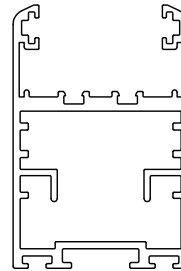
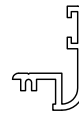
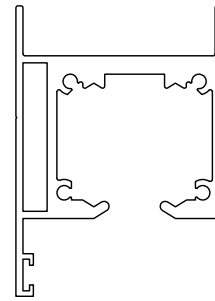
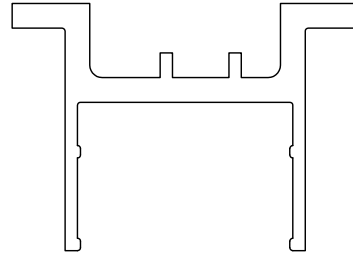
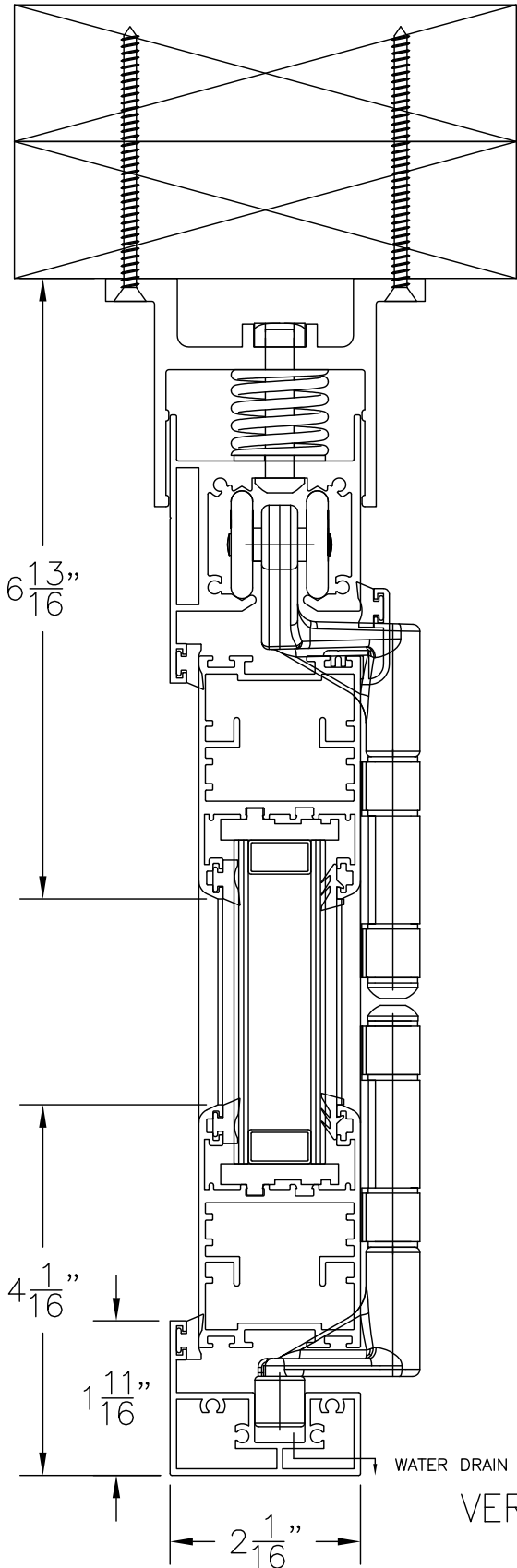
VOICE: 480-892-2600 / FAX : 480-892-0951

L2

DATE:

1/25/13

DRAWINGS\BROPAGES\L2.DWG



VERTICAL SECTION THROUGH FOLDING DOOR
DOUBLE GLAZED

SCALE: 1:2