



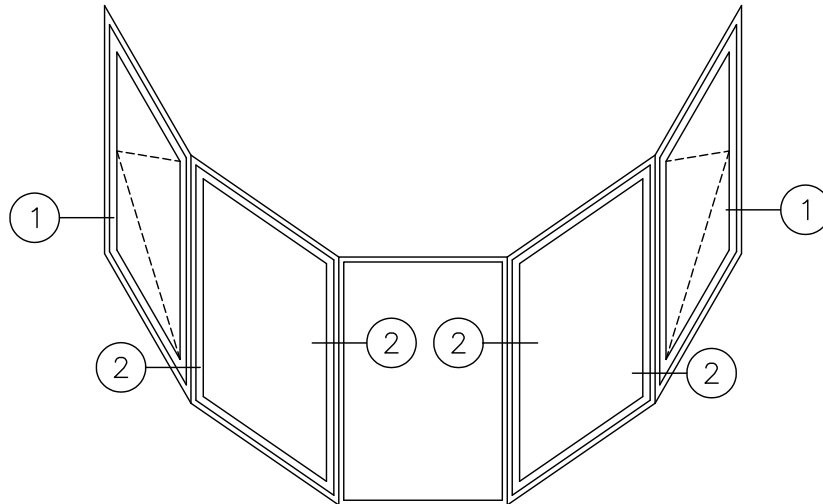
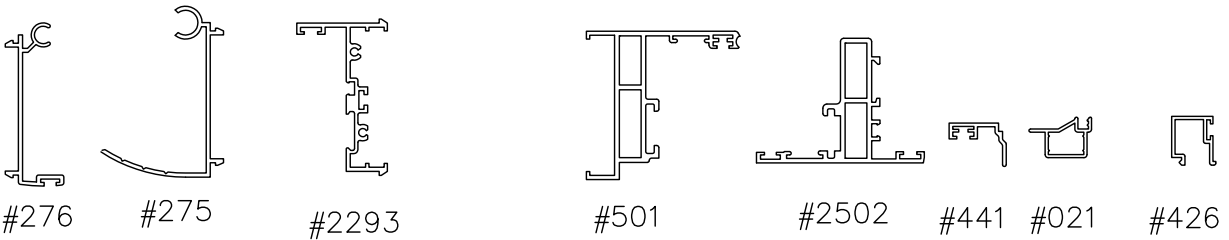
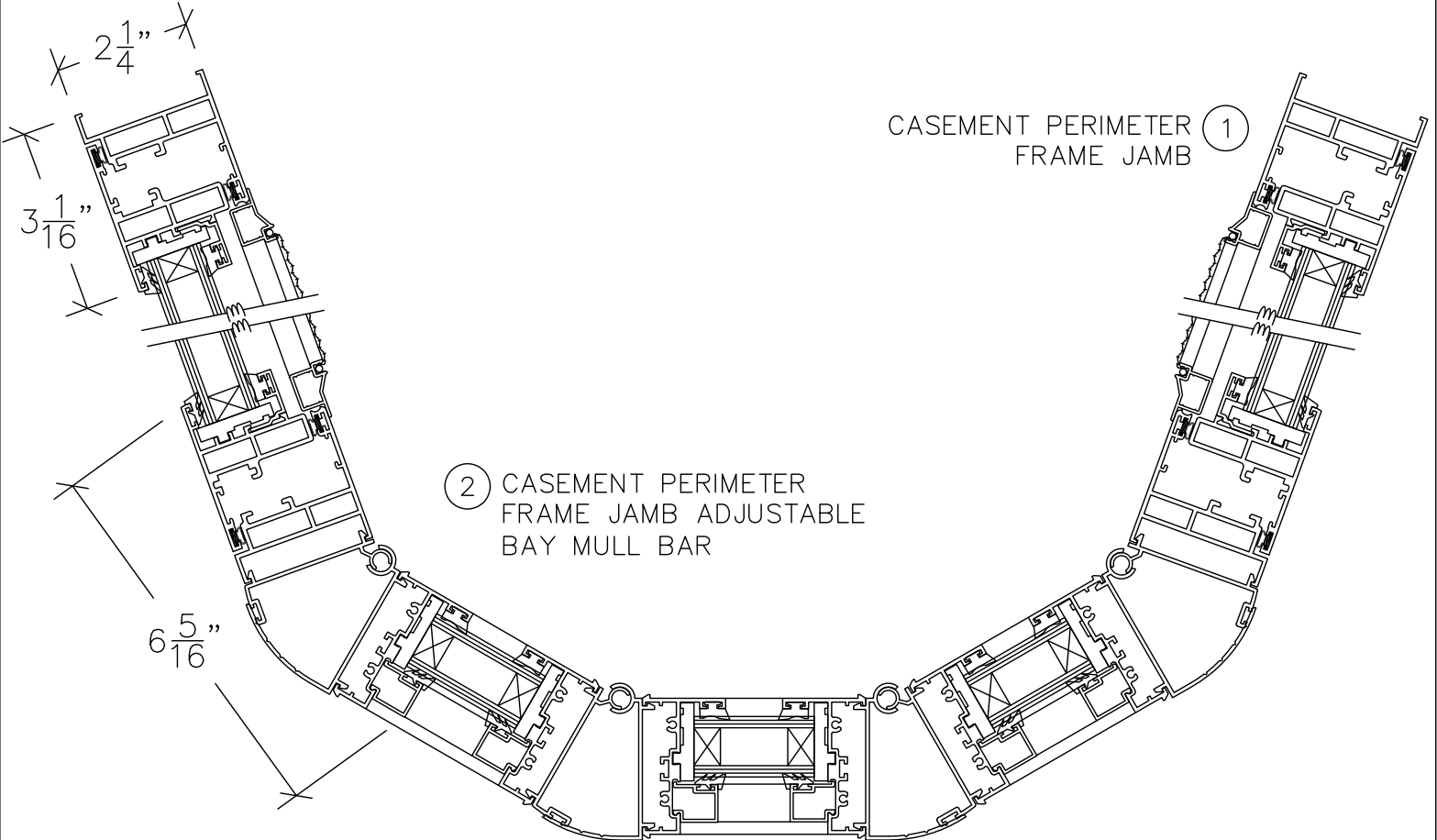
WINDOW SYSTEM
SERIES 900 - CASEMENT

1503 W. San Pedro St., Gilbert, Arizona 85233
VOICE: 480-892-2600 / FAX : 480-892-0951

K8

DATE:
6/12/13

R:\DRAWINGS\BROGPAGES\K-1\K8.DWG



HORIZONTAL SECTION THROUGH CASEMENT / FIXED FRAME MULL DOUBLE GLAZED