



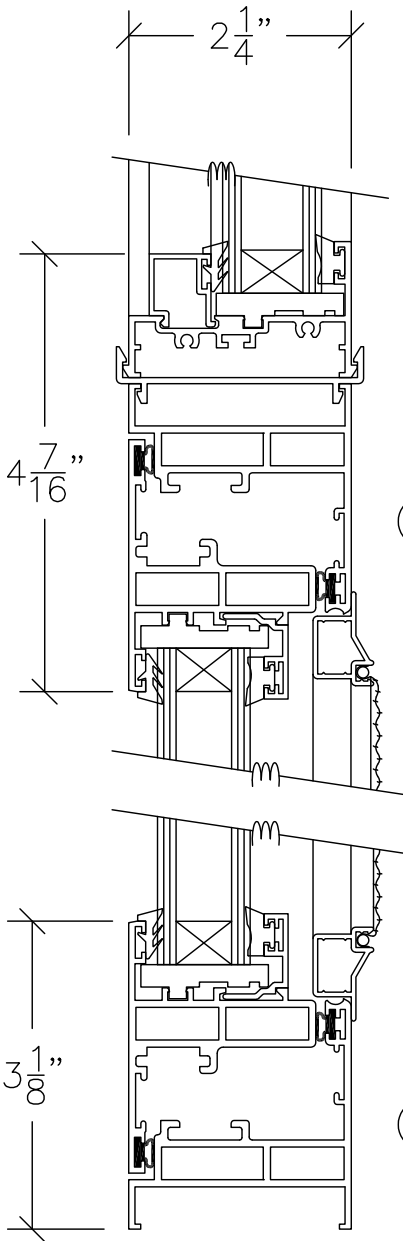
WINDOW SYSTEM
SERIES 900 - CASEMENT

1503 W. San Pedro St., Gilbert, Arizona 85233
VOICE: 480-892-2600 / FAX : 480-892-0951

K4

DATE:
6/12/13

R:\DRAWINGS\BROGPAGES\K-1\K4.DWG

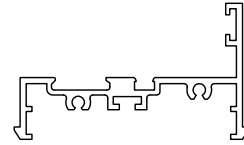


① ROUND TOP SILL &
CASEMENT PERIMETER
FRAME HEAD

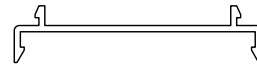
① TYPICAL PERIMETER
FRAME & LEAF



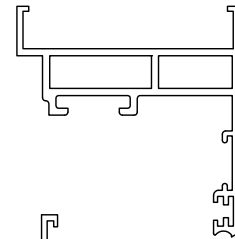
#426



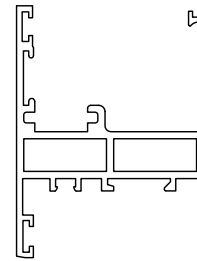
#2293



#234



#501



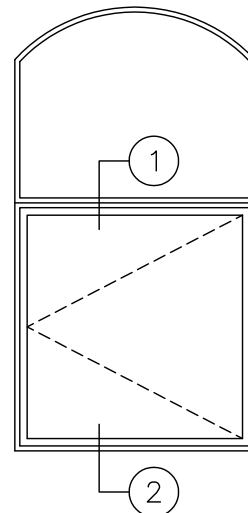
#2502



#441



#021



VERTICAL SECTION THROUGH CASEMENT / ROUND TOP STACK
DOUBLE GLAZED
SCALE: HALF SIZE