



WINDOW SYSTEM
SERIES 900 - CASEMENT

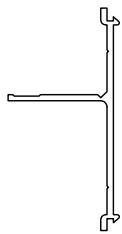
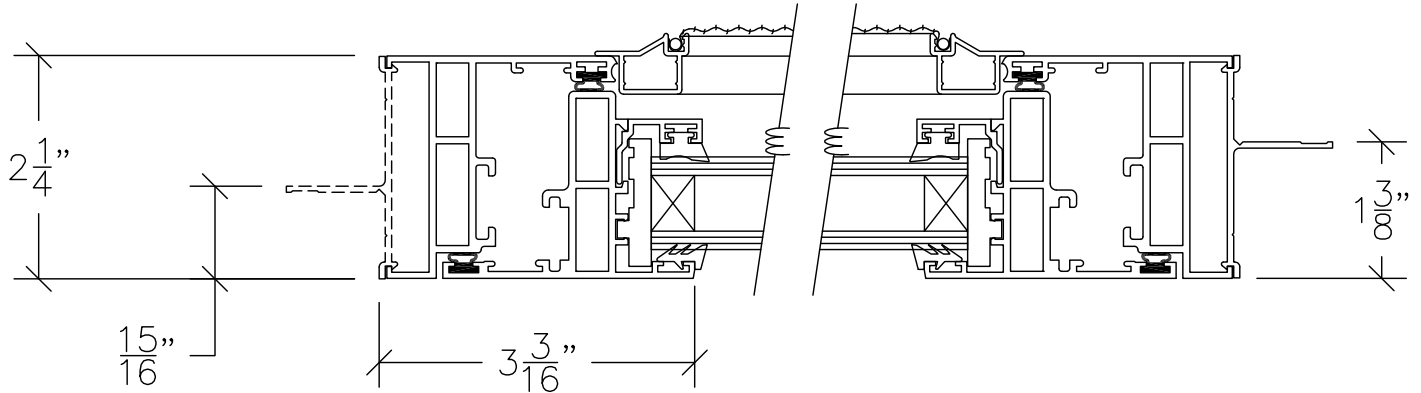
1503 W. San Pedro St., Gilbert, Arizona 85233
VOICE: 480-892-2600 / FAX : 480-892-0951

K3

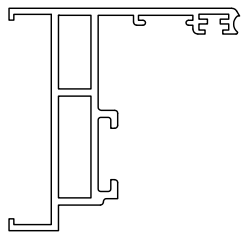
DATE:
6/12/13

R:\DRAWINGS\BROGPAGES\K-1\K3.DWG

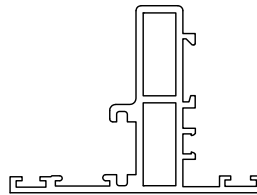
① TYPICAL PERIMETER
FRAME & LEAF



#305



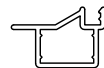
#501



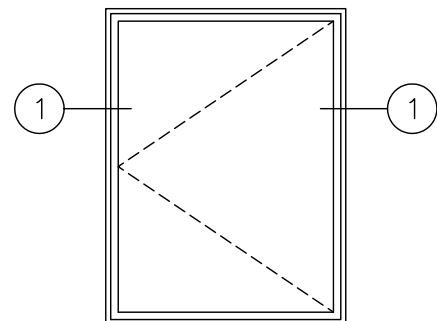
#2502



#441



#021



HORIZONTAL SECTION THROUGH CASEMENT WINDOW
DOUBLE GLAZED
SCALE: HALF SIZE