



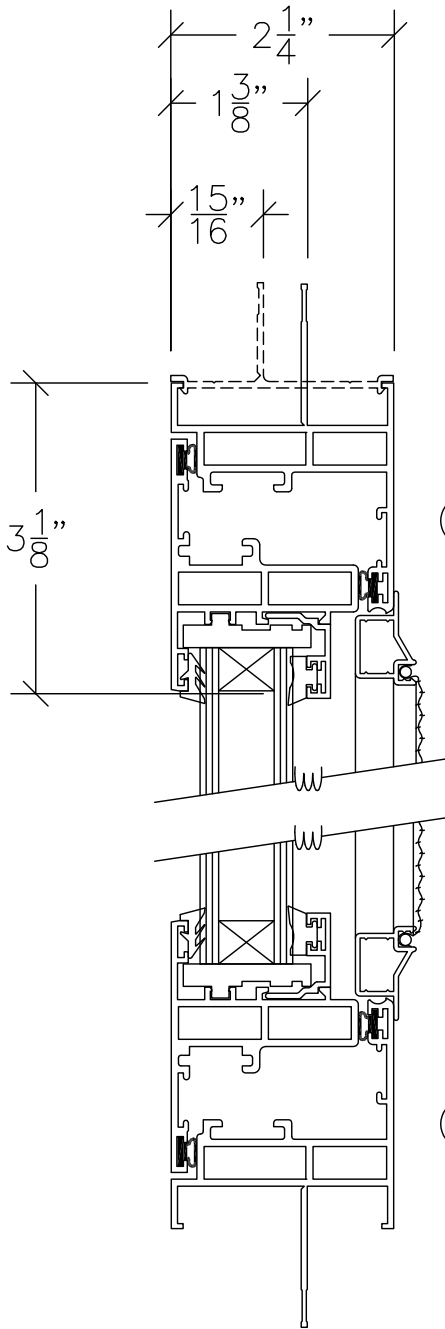
WINDOW SYSTEM  
SERIES 900 - CASEMENT

1503 W. San Pedro St., Gilbert, Arizona 85233  
VOICE: 480-892-2600 / FAX : 480-892-0951

K2

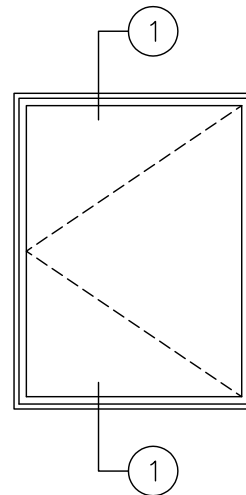
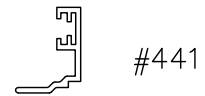
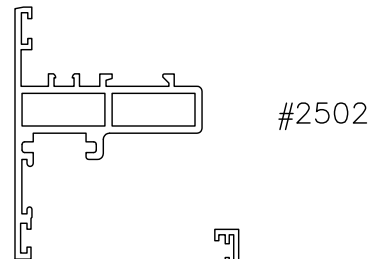
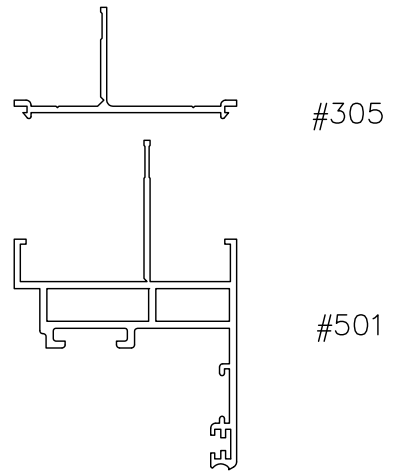
DATE:  
6/12/13

R:\DRAWINGS\BROGPAGES\K-1\K2.DWG



① TYPICAL PERIMETER  
FRAME & LEAF

① TYPICAL PERIMETER  
FRAME & LEAF



VERTICAL SECTION THROUGH CASEMENT WINDOW  
DOUBLE GLAZED  
SCALE: HALF SIZE