



# WINDOW SYSTEM – RESIDENTIAL

GLASS & INTERNAL AND EXTERNAL MUNTINS

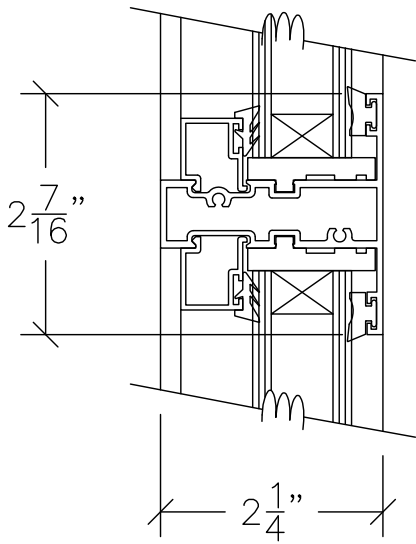
1503 W. San Pedro St., Gilbert, Arizona 85233

VOICE: 480-892-2600 / FAX : 480-892-0951

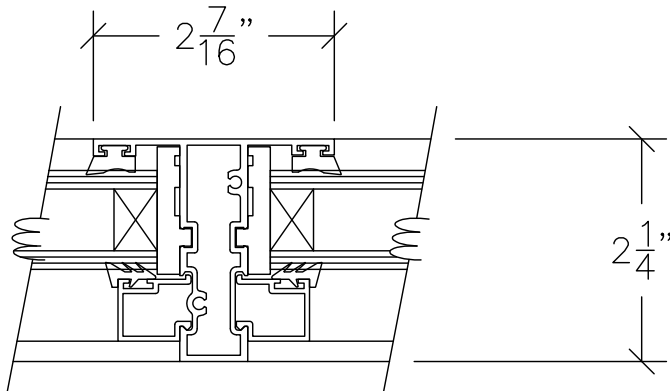
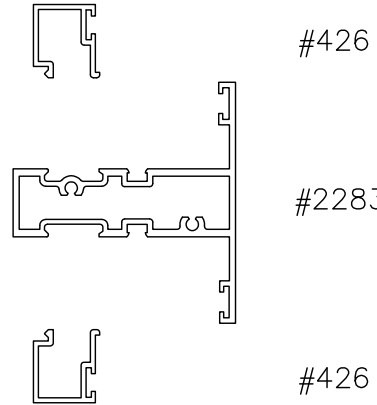
# J3

DATE:  
6/1/08

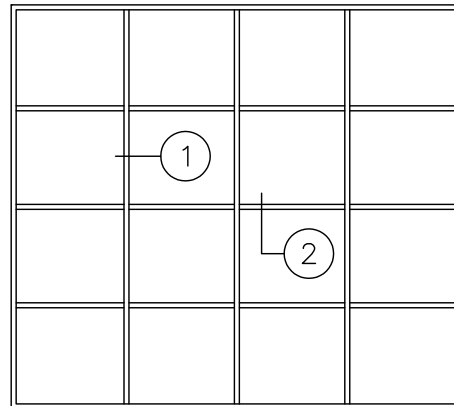
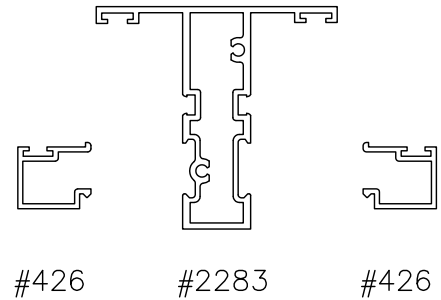
R:\DRAWINGS\BROGPAGES\J-J3.DWG



① 2283 TUBULAR MUNTIN  
FIXED FRAMES ONLY



② 2283 TUBULAR MUNTIN  
FIXED FRAMES ONLY



VERTICAL & HORIZONTAL SECTIONS THROUGH 2283 MUNTIN  
DOUBLE GLAZED

SCALE: HALF SIZE