



WINDOW SYSTEM – RESIDENTIAL

GLASS & INTERNAL AND EXTERNAL MUNTINS

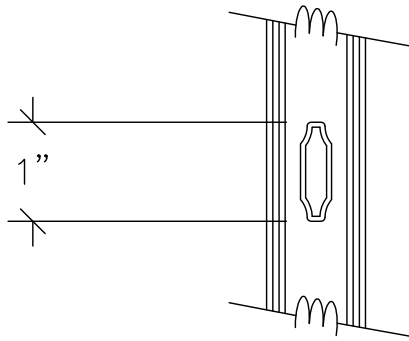
1503 W. San Pedro St., Gilbert, Arizona 85233

VOICE: 480-892-2600 / FAX : 480-892-0951

J1

DATE:
6/26/13

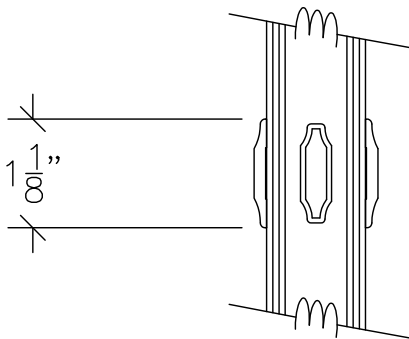
R:\DRAWINGS\BROPAGE\J-1\J1.DWG



① 318 INTERNAL MUNTIN (EXTRUDED)



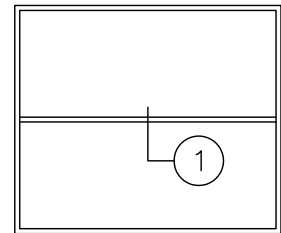
#318



① 311 EXTERNAL MUNTIN (EXTRUDED)
318 INTERNAL MUNTIN (EXTRUDED)



#311



VERTICAL SECTION THROUGH 311/318 INTERNAL MUNTIN
DOUBLE GLAZED

SCALE: HALF SIZE