



# WINDOW SYSTEM – RESIDENTIAL

SERIES 511 – FIXED WINDOW

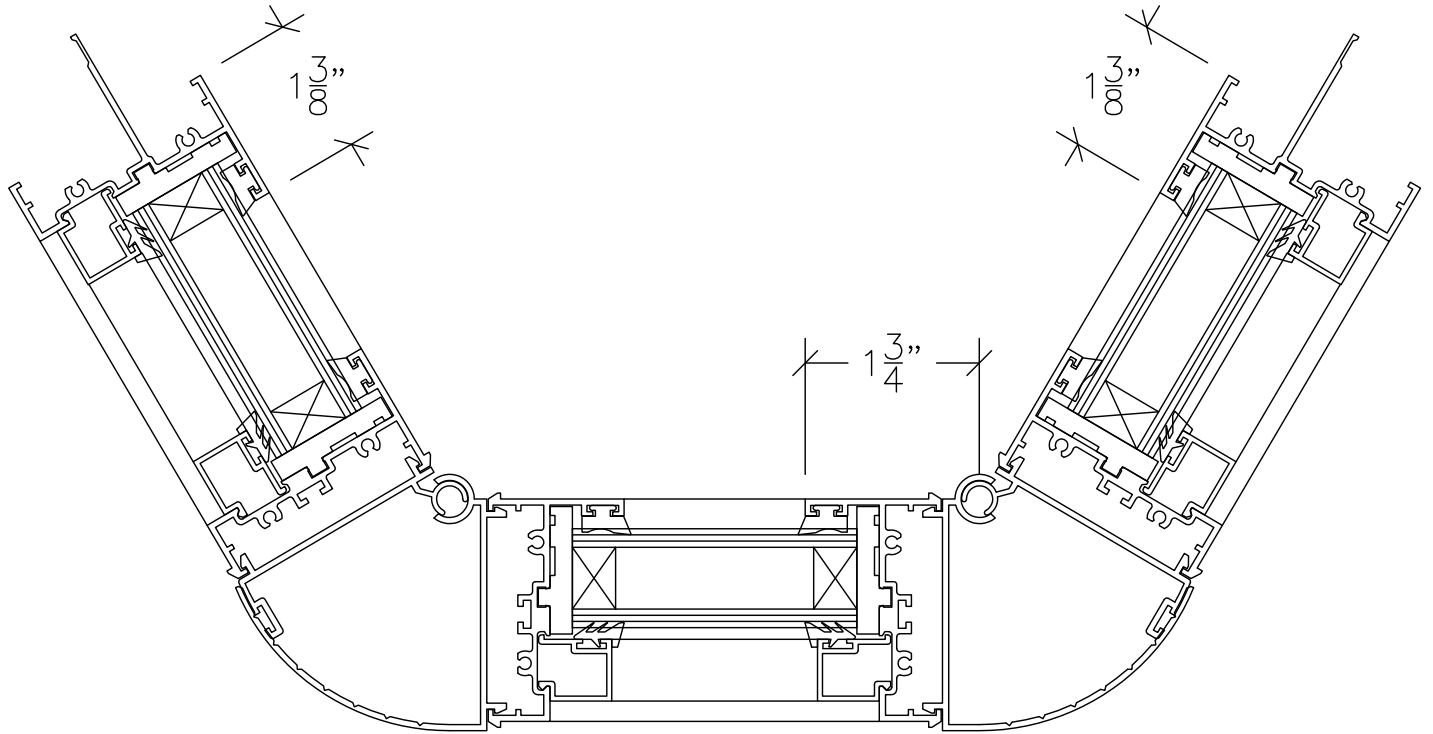
1503 W. San Pedro St., Gilbert, Arizona 85233

VOICE: 480-892-2600 / FAX : 480-892-0951

I7

DATE:  
6/1/08

R:\DRAWINGS\BROPAGE\1-17.DWG



① FIXED FRAME JAMBS &  
0° TO 60° ADJUSTABLE  
BAY MULL BAR

#2274

#426

#426

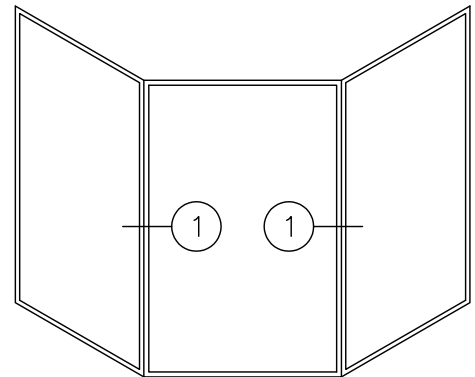
#2293

#276

#275

#2293

#426



HORIZONTAL SECTION THROUGH FIXED FRAME BAY WINDOW  
DOUBLE GLAZED

SCALE: HALF SIZE