



WINDOW SYSTEM – RESIDENTIAL

SERIES 511 – FIXED WINDOW

1503 W. San Pedro St., Gilbert, Arizona 85233

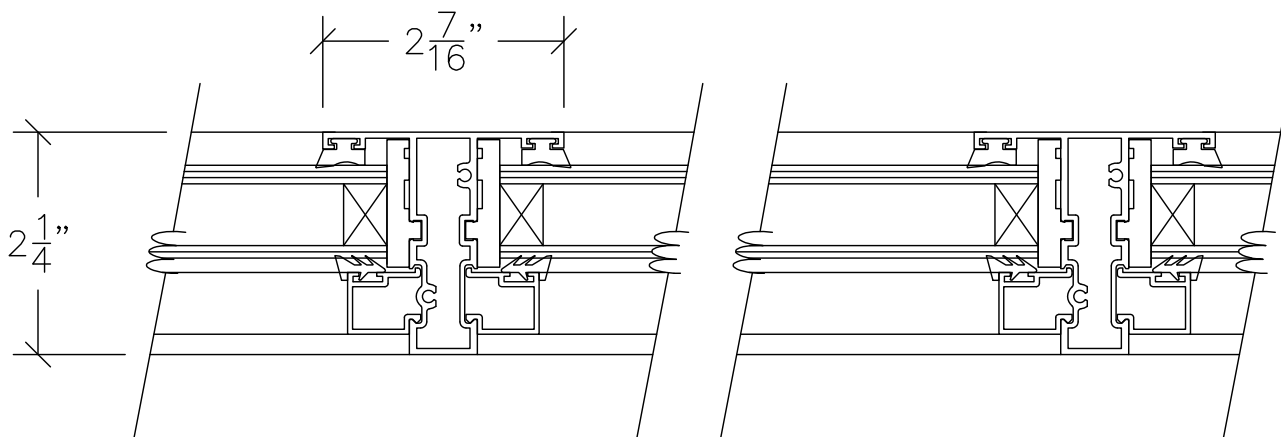
VOICE: 480-892-2600 / FAX : 480-892-0951

I6

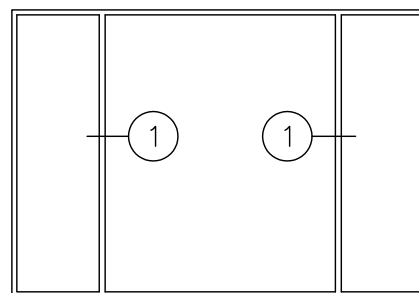
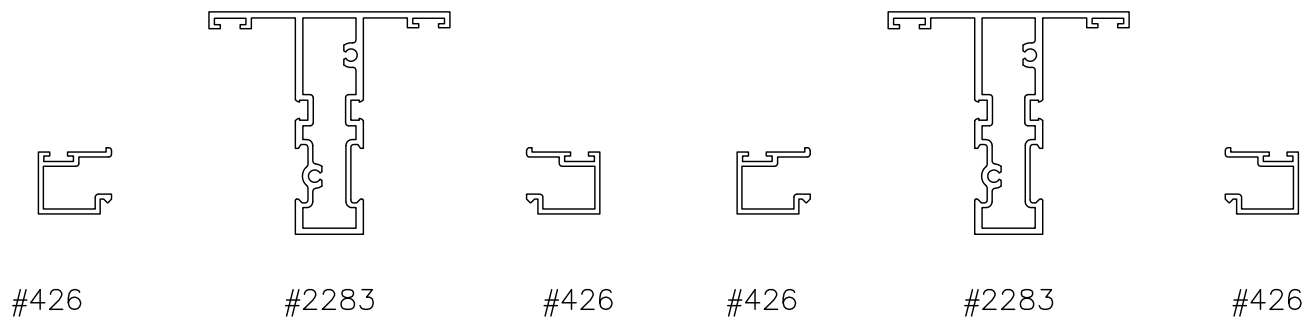
DATE:

6/12/13

R:\DRAWINGS\BROPAGE51-A\A6.DWG



① FIXED FRAME MULLIONS



HORIZONTAL SECTION THROUGH FIXED FRAME @ MULLION
DOUBLE GLAZED
SCALE: HALF SIZE