



# WINDOW SYSTEM – RESIDENTIAL

SERIES 511 – FIXED WINDOW

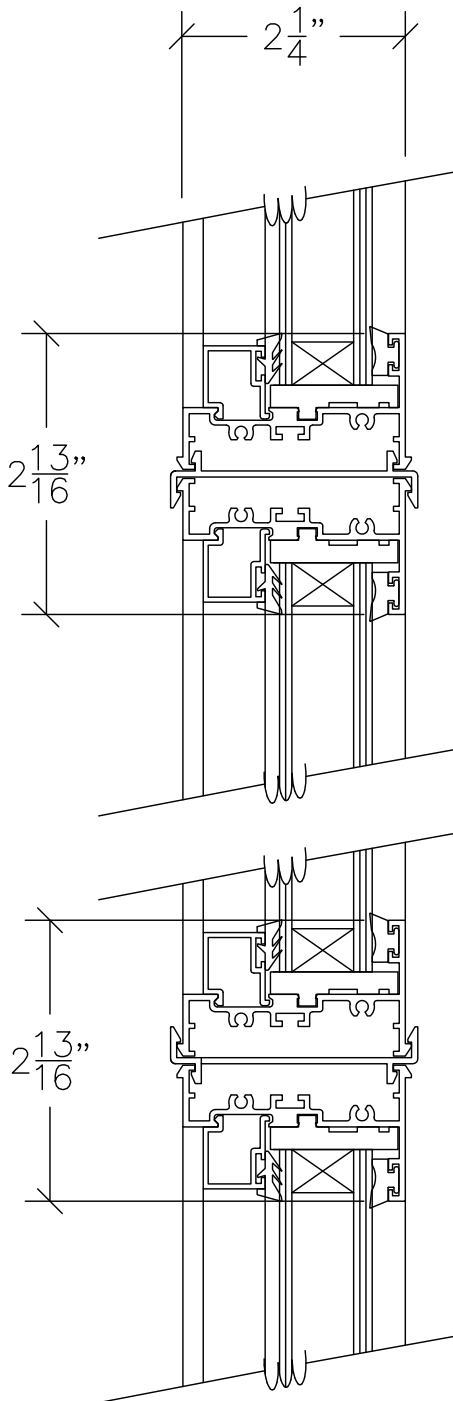
1503 W. San Pedro St., Gilbert, Arizona 85233

VOICE: 480-892-2600 / FAX : 480-892-0951

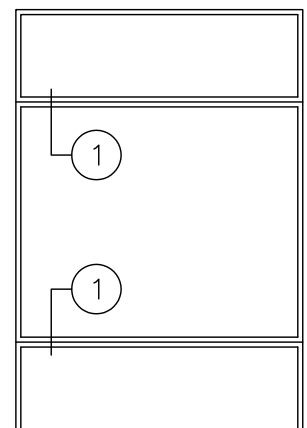
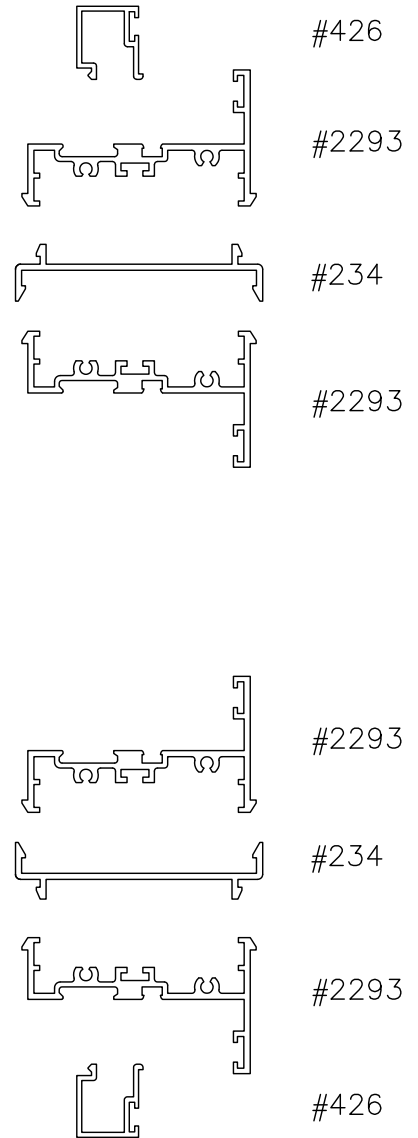
I5

DATE:  
6/1/08

R:\DRAWINGS\BROGPAGES\I-15.DWG



① FIXED FRAME PERIMETERS  
@ STACK



VERTICAL SECTION THROUGH FIXED FRAME @ STACK  
DOUBLE GLAZED  
SCALE: HALF SIZE