



WINDOW SYSTEM

SERIES 211 & 711 - SINGLE HUNG WINDOW - C-20

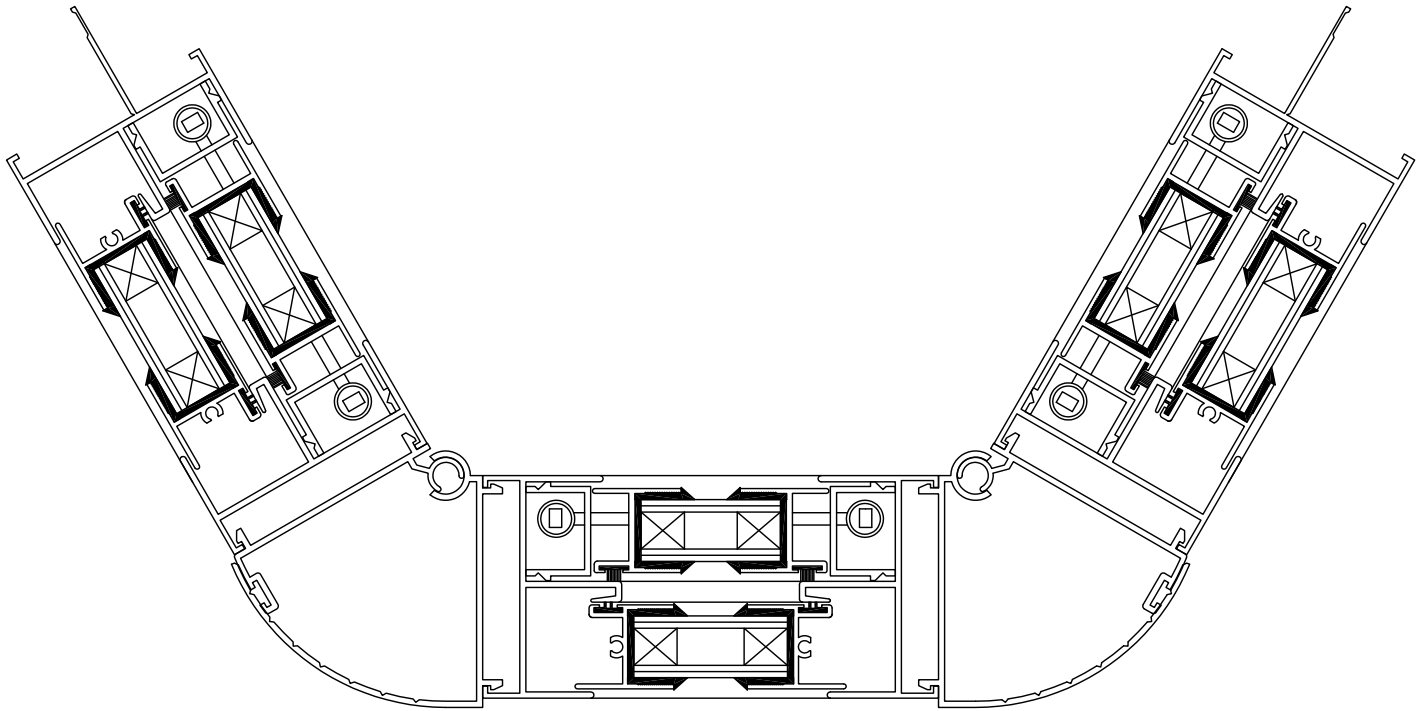
1503 W. San Pedro St., Gilbert, Arizona 85233

VOICE: 480-892-2600 / FAX : 480-892-0951

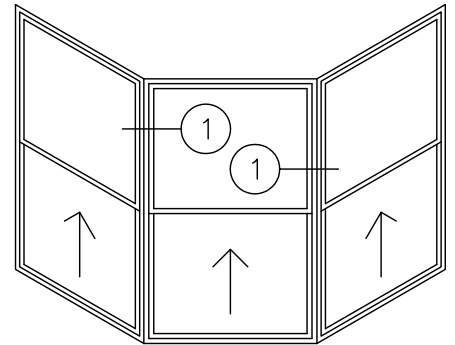
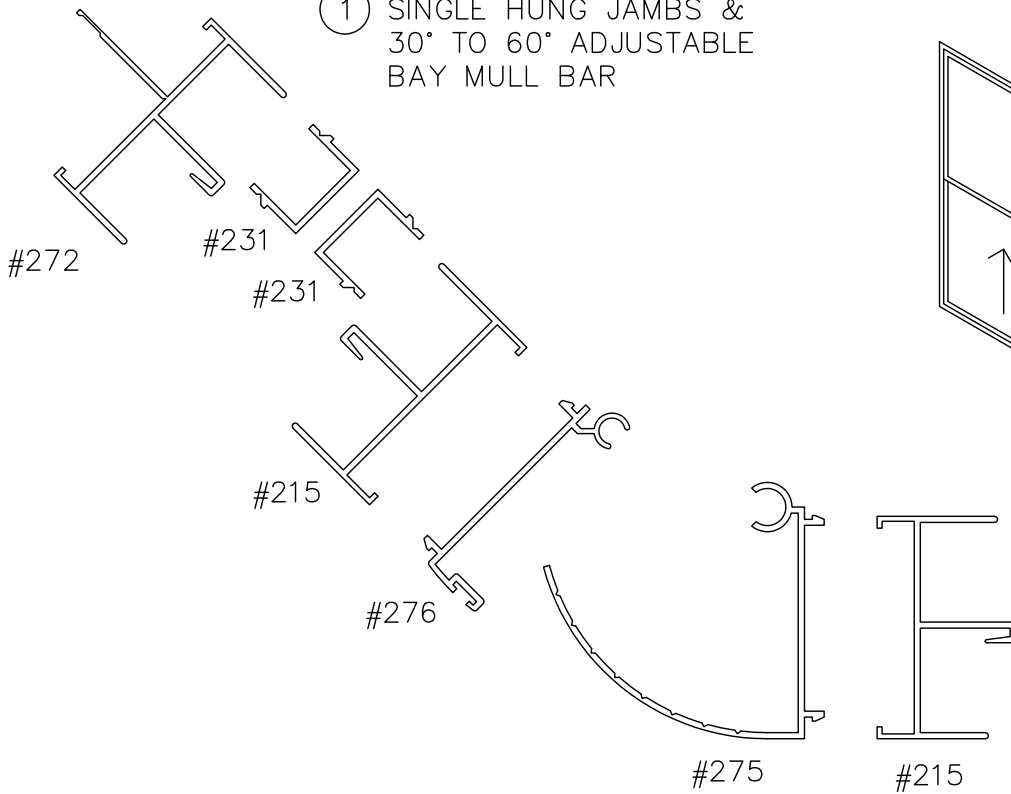
H7

DATE:
6/1/08

R:\DRAWINGS\BROPAGE'S\G-H\H7.DWG



① SINGLE HUNG JAMBS &
30° TO 60° ADJUSTABLE
BAY MULL BAR



HORIZONTAL SECTION THROUGH SINGLE HUNG BAY WINDOW
DOUBLE GLAZED
SCALE: HALF SIZE