



# WINDOW SYSTEM

SERIES 211 & 711 - SINGLE HUNG WINDOW - C-20

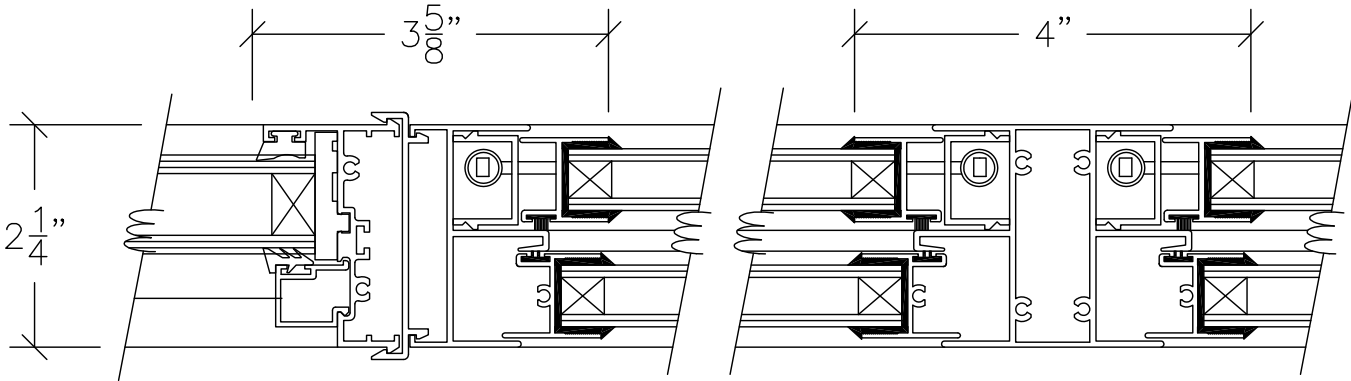
1503 W. San Pedro St., Gilbert, Arizona 85233

VOICE: 480-892-2600 / FAX : 480-892-0951

# H6

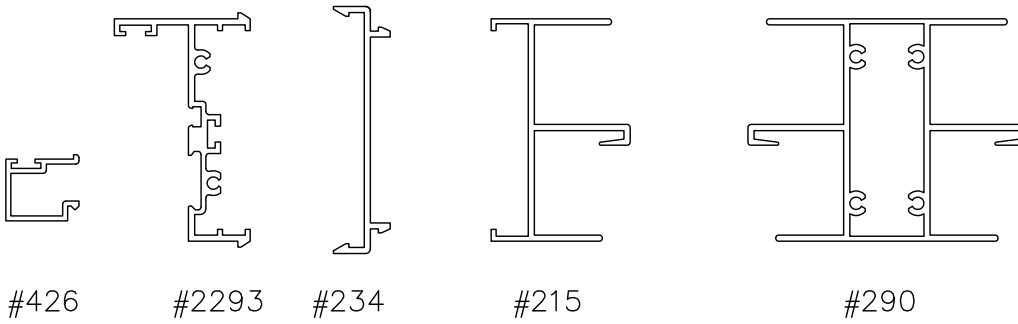
DATE:  
6/1/08

R:\DRAWINGS\BROGPAGES\C-H\H6.DWG



① FIXED FRAME JAMB & SINGLE HUNG JAMB

② SINGLE HUNG DOUBLE JAMB MULL



HORIZONTAL SECTION THROUGH SINGLE HUNG  
DOUBLE GLAZED

SCALE: HALF SIZE

