



WINDOW SYSTEM

SERIES 211 & 711 - SINGLE HUNG WINDOW - C-20

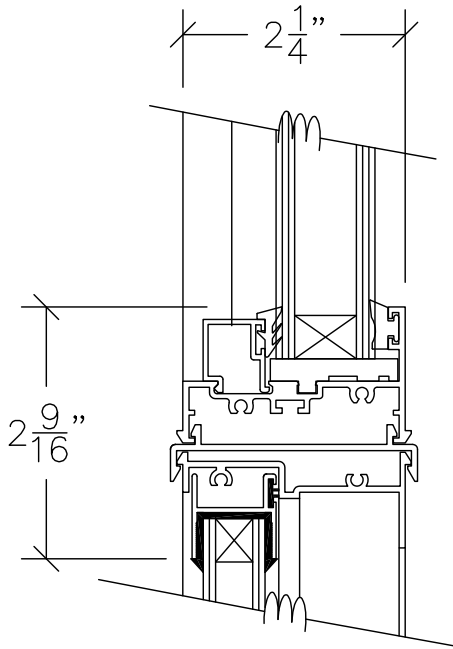
1503 W. San Pedro St., Gilbert, Arizona 85233

VOICE: 480-892-2600 / FAX : 480-892-0951

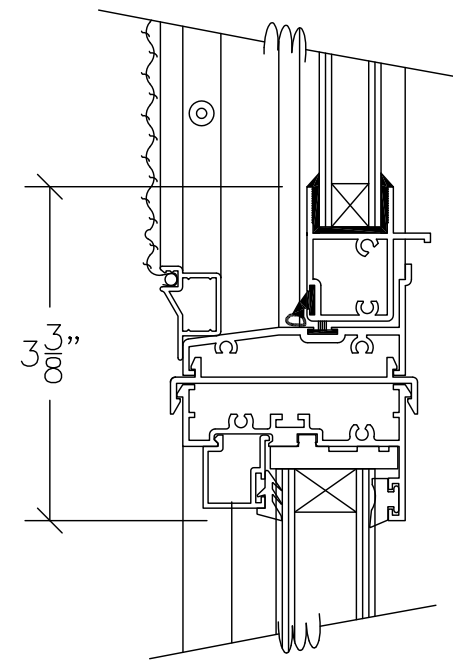
H5

DATE:
6/1/08

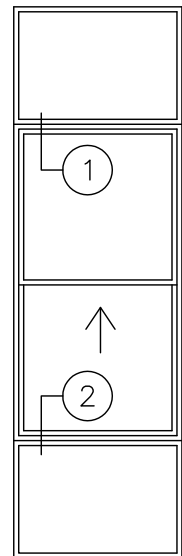
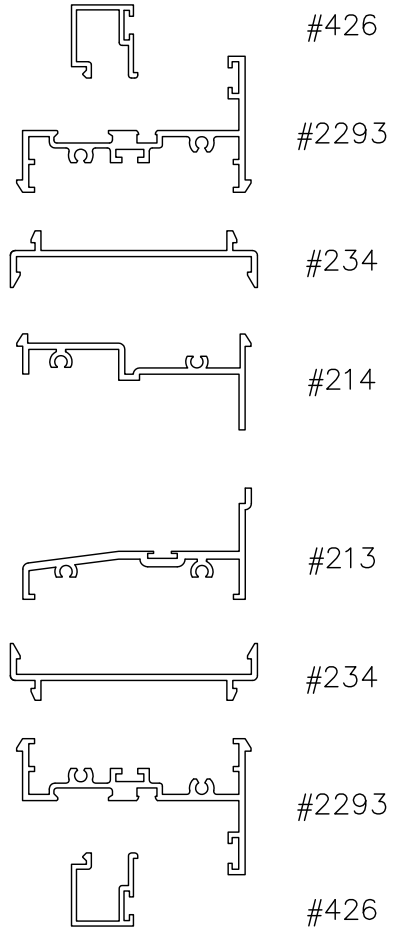
R:\DRAWINGS\BROCHURES\C-H\H5.DWG



① FIXED FRAME SILL & SINGLE HUNG HEAD



② SINGLE HUNG SILL & FIXED FRAME HEAD



VERTICAL SECTION THROUGH SINGLE HUNG STACK
DOUBLE GLAZED
SCALE: HALF SIZE