



WINDOW SYSTEM – RESIDENTIAL

SERIES 211 – SINGLE HUNG WINDOW

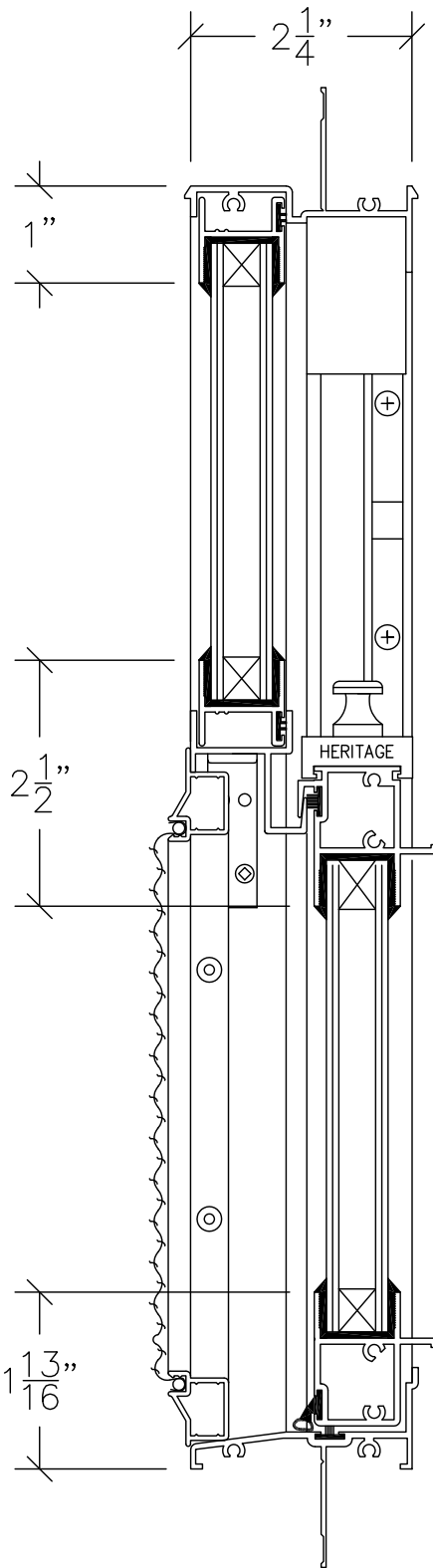
1503 W. San Pedro St., Gilbert, Arizona 85233

VOICE: 480-892-2600 / FAX : 480-892-0951

H2

DATE:
6/1/08

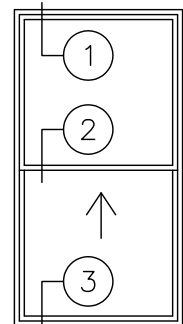
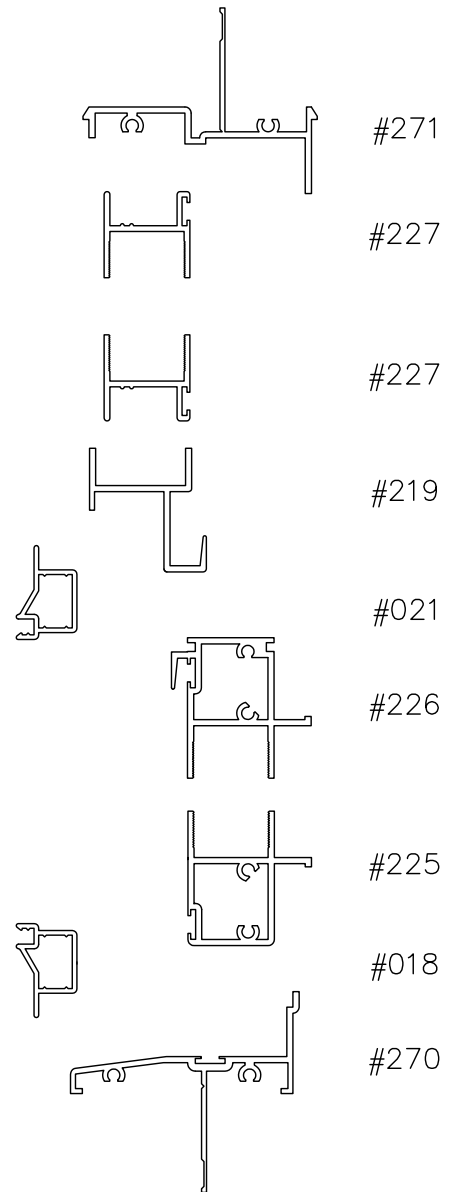
R:\DRAWINGS\BROPAGE'S\G-H\H2.DWG



① SINGLE HUNG HEAD

② MEETING RAIL

③ SINGLE HUNG SILL



VERTICAL SECTION THROUGH SINGLE HUNG
DOUBLE GLAZED

SCALE: HALF SIZE