



WINDOW SYSTEM

SERIES 311 & 811 - SLIDING WINDOW - C-20

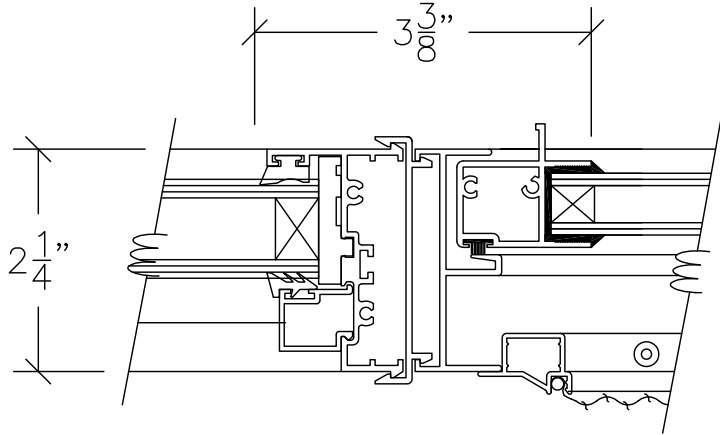
1503 W. San Pedro St., Gilbert, Arizona 85233

VOICE: 480-892-2600 / FAX : 480-892-0951

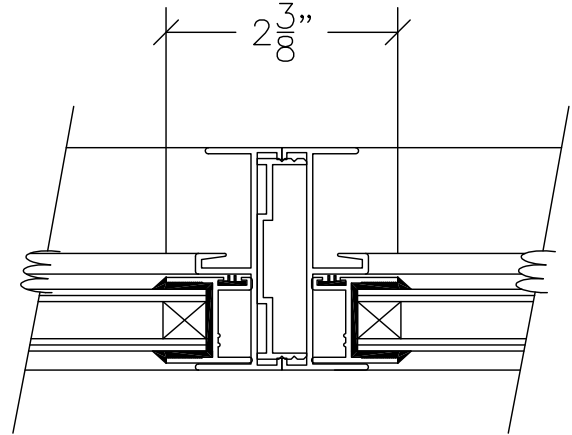
G 9

DATE:
6/1/08

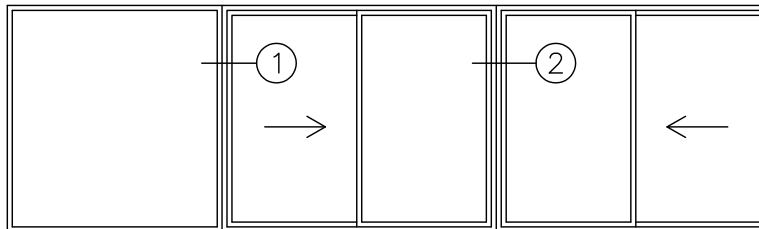
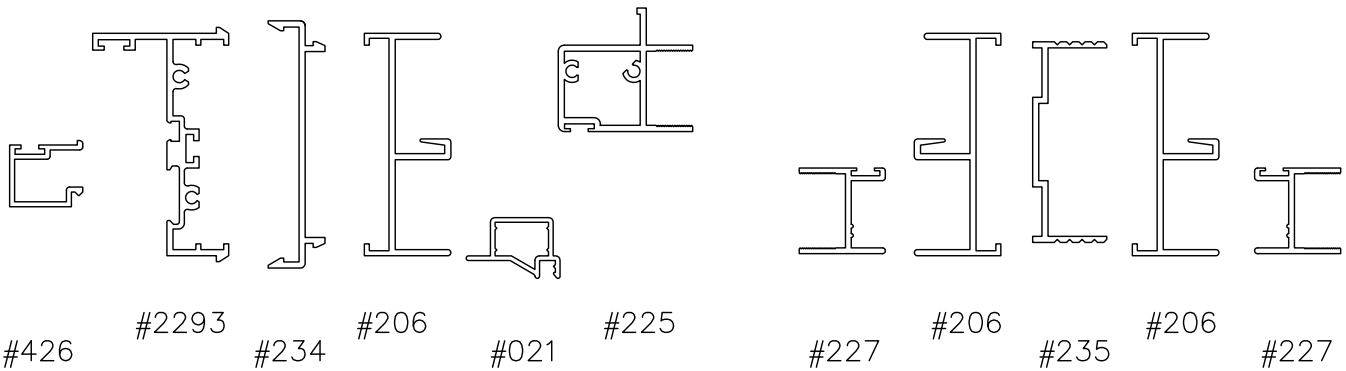
R:\DRAWINGS\BROPAGE\G-H\G9.DWG



① FIXED FRAME JAMB &
HORIZONTAL SLIDER JAMB
⊙ SNAPPING MULL



② HORIZONTAL SLIDER JAMBS
⊙ INTERNAL MULL



HORIZONTAL SECTION THROUGH HORIZONTAL SLIDER
DOUBLE GLAZED

SCALE: HALF SIZE