



WINDOW SYSTEM

SERIES 311 & 811 - SLIDING WINDOW - C-20

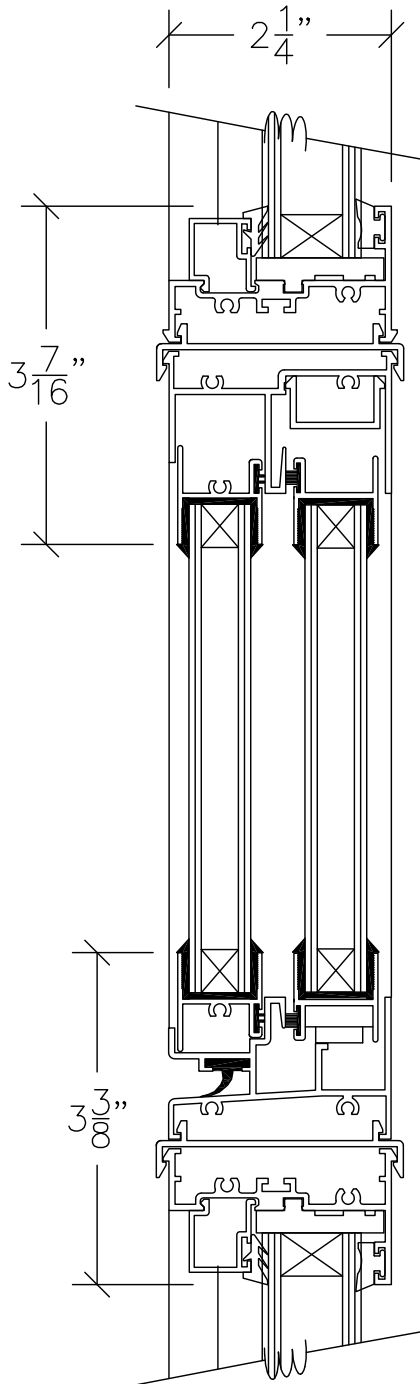
1503 W. San Pedro St., Gilbert, Arizona 85233

VOICE: 480-892-2600 / FAX : 480-892-0951

G 8

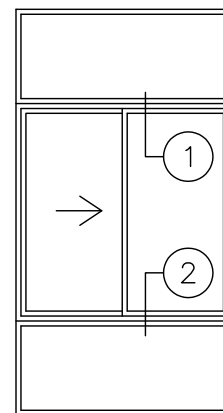
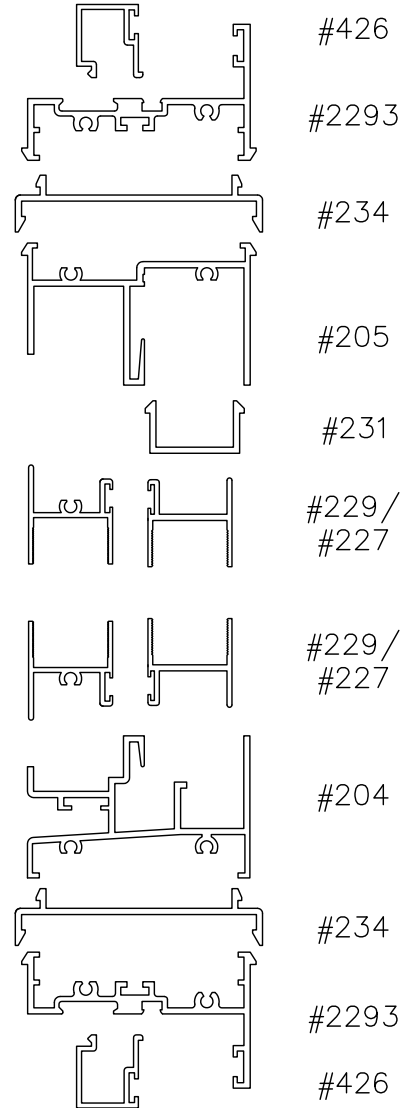
DATE:
6/1/08

R:\DRAWINGS\BROPAGE\G-H\G8.DWG



① HORIZONTAL SLIDER HEAD & FIXED FRAME SILL

② HORIZONTAL SLIDER SILL & FIXED FRAME HEAD



VERTICAL SECTION THROUGH HORIZONTAL SLIDER STACK
DOUBLE GLAZED

SCALE: HALF SIZE