



WINDOW SYSTEM

SERIES 811 - SLIDING WINDOW - C-20

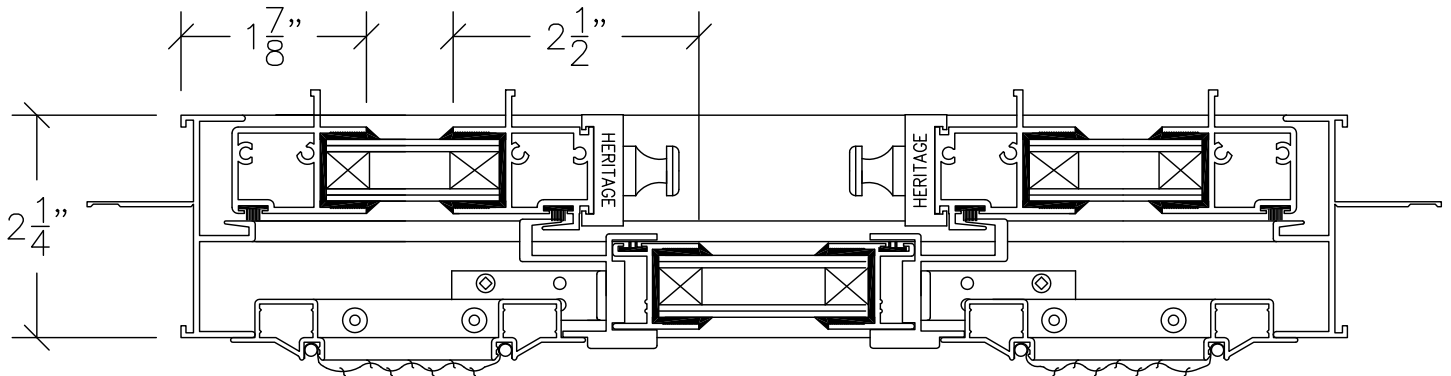
1503 W. San Pedro St., Gilbert, Arizona 85233

VOICE: 480-892-2600 / FAX : 480-892-0951

G7

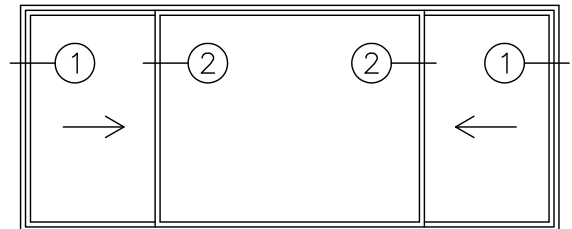
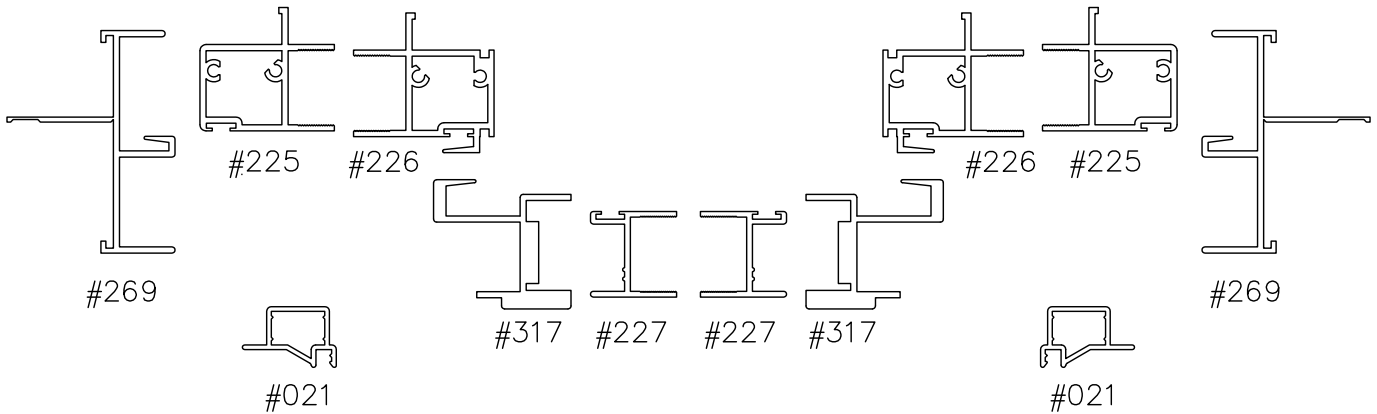
DATE:
6/1/08

R:\DRAWINGS\BROCAPAGES\G-H\G7.DWG



① HORIZONTAL SLIDER JAMB

② MEETING STILE



HORIZONTAL SECTION THROUGH HORIZONTAL SLIDER
DOUBLE GLAZED

SCALE: HALF SIZE