



# WINDOW SYSTEM

SERIES 311 - SLIDING WINDOW

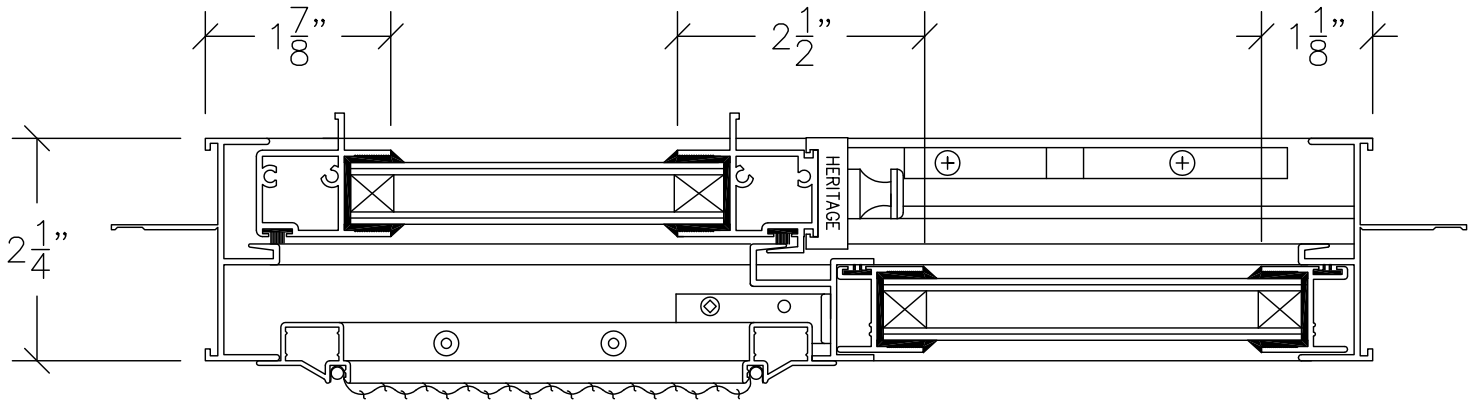
1503 W. San Pedro St., Gilbert, Arizona 85233

VOICE: 480-892-2600 / FAX : 480-892-0951

# G 4

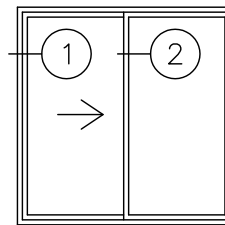
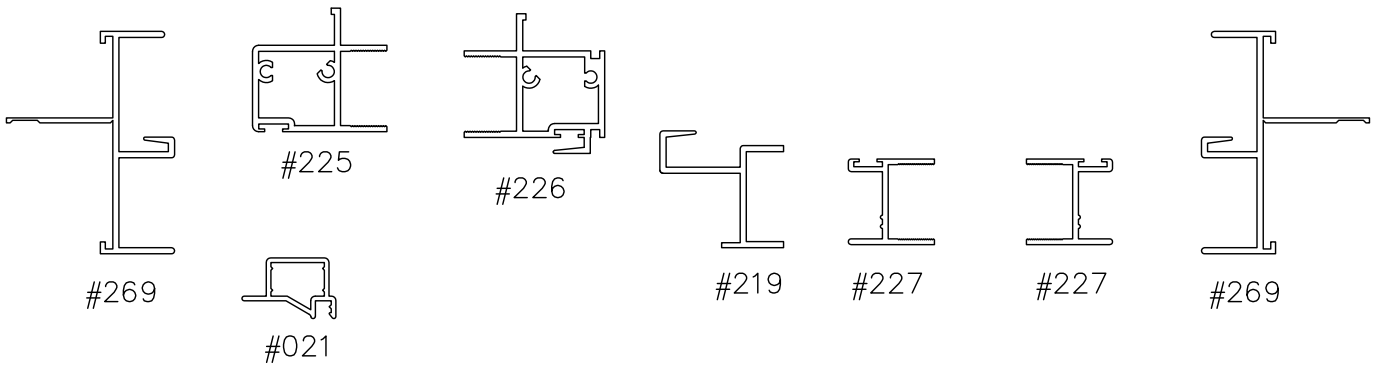
DATE:  
6/1/08

R:\DRAWINGS\BROPAGE\G-H\G4.DWG



① HORIZONTAL SLIDER JAMB

② MEETING STILE



HORIZONTAL SECTION THROUGH HORIZONTAL SLIDER  
DOUBLE GLAZED

SCALE: HALF SIZE