



WINDOW SYSTEM – RESIDENTIAL

SERIES 311 & 811 – SLIDING WINDOW – C-20

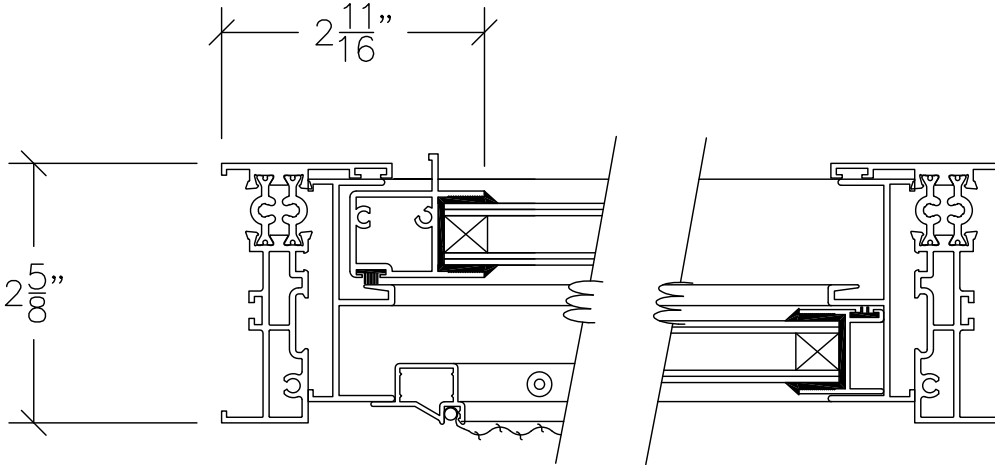
1503 W. San Pedro St., Gilbert, Arizona 85233

VOICE: 480-892-2600 / FAX : 480-892-0951

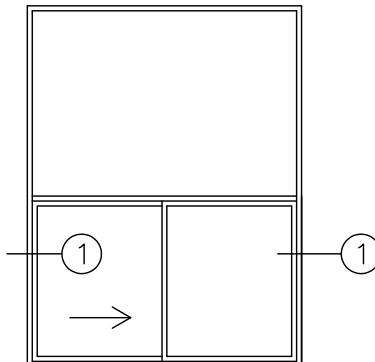
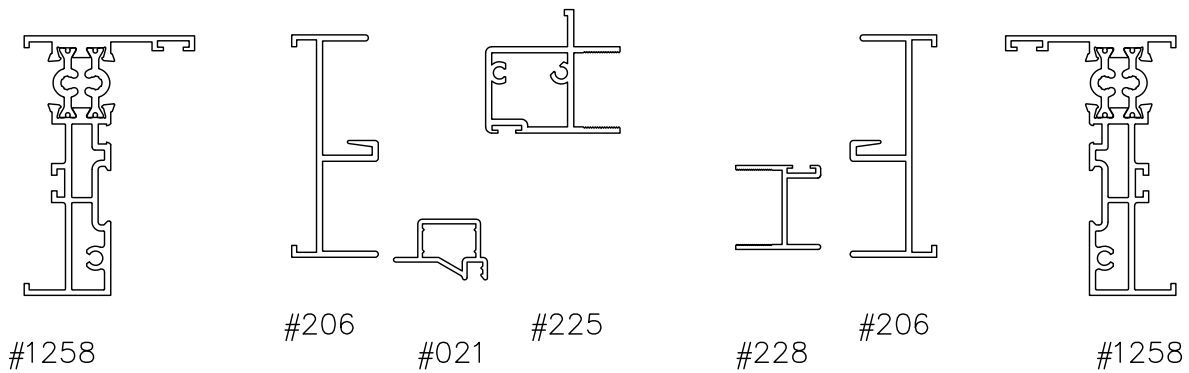
G10

DATE:
6/1/08

R:\DRAWINGS\BROPAGE'S-B-P\G10.DWG



- ① FIXED FRAME JAMB & HORIZONTAL SLIDER JAMB
- ⊙ SNAPPING MULL



HORIZONTAL SECTION THROUGH HORIZONTAL SLIDER INSERT
DOUBLE GLAZED
SCALE: HALF SIZE