



DOOR SYSTEM – RESIDENTIAL  
 SERIES 151 – MULTI-SLIDING GLASS DOOR (S1 MSD4)

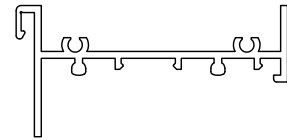
1503 W. San Pedro St., Gilbert, Arizona 85233  
 VOICE: 480-892-2600 / FAX : 480-892-0951

F22E

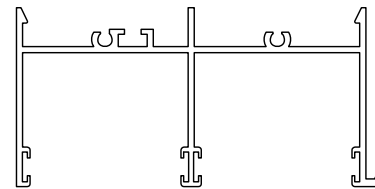
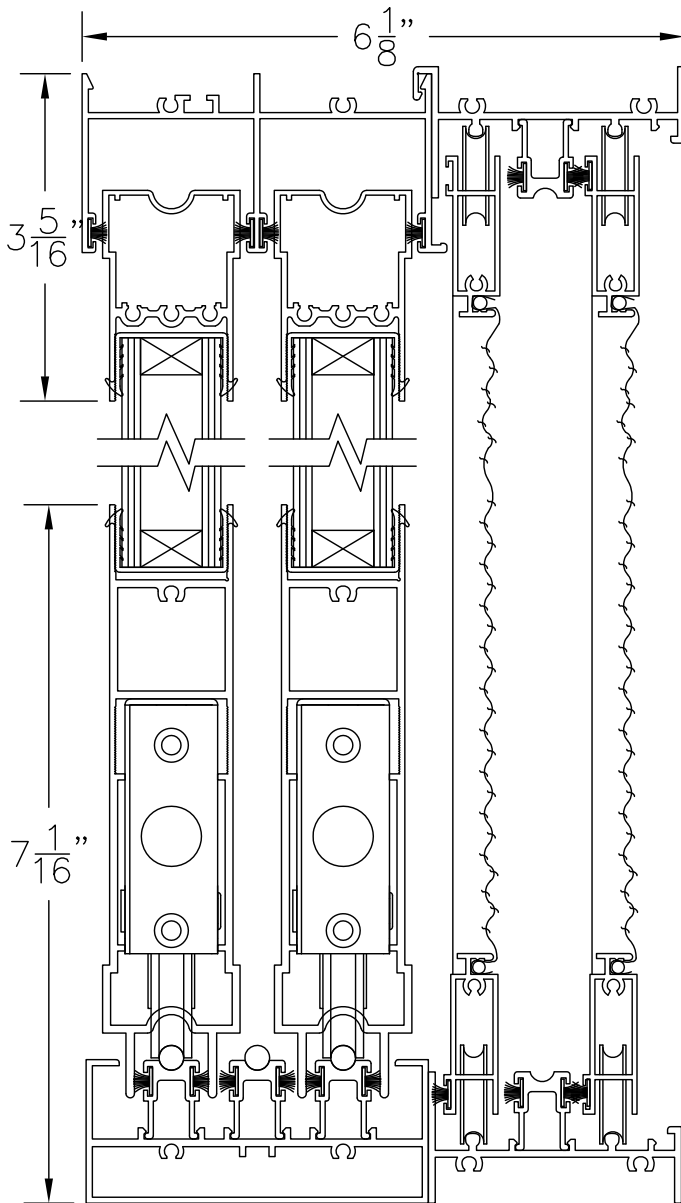
DATE:  
 12/4/13

DRAWINGS\BROCHURES\F-F22E.DWG

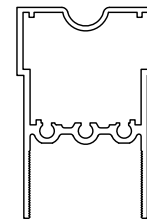
① MULTI-SLIDING GLASS DOOR  
 HEAD + 190 SCREEN TRACK



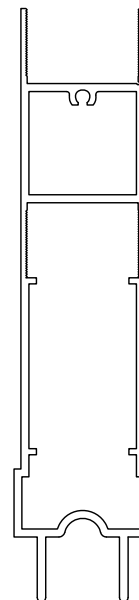
#190



#159



#154  
 MODIFIED



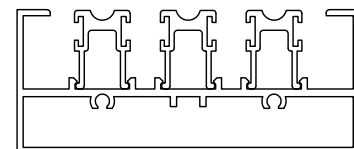
#156



#155



#179



#158+155

② MULTI-SLIDING GLASS DOOR  
 SILL + 190 (WITH SCREENS)

VERTICAL SECTION THROUGH MULTI-SLIDING GLASS DOOR WITH SCREENS  
 POCKET – DOUBLE GLAZED  
 SCALE: 1:2