



DOOR SYSTEM – RESIDENTIAL
 SERIES 151 – MULTI-SLIDING GLASS DOOR (MSD & MSD4)

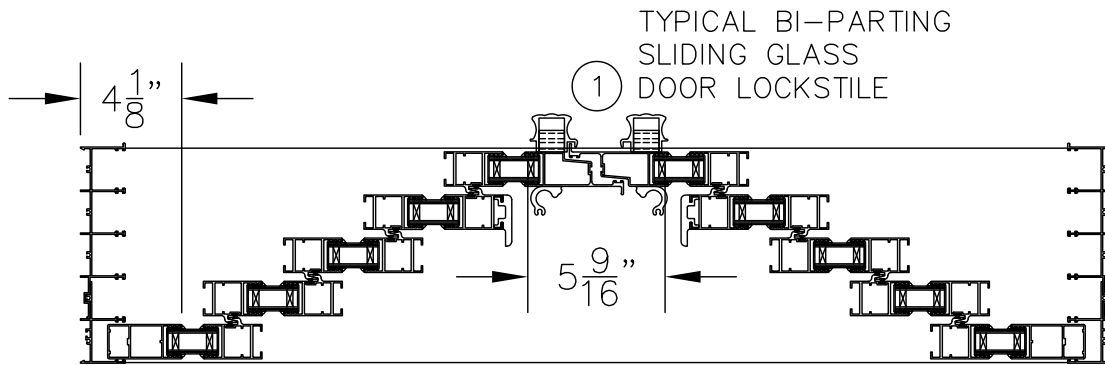
1503 W. San Pedro St., Gilbert, Arizona 85233
 VOICE: 480-892-2600 / FAX : 480-892-0951

F21A

DATE:
 12/5/13

DRAWINGS\BROGPAGES\B-F\F21A.DWG

INTERIOR



TYPICAL BI-PARTING
 SLIDING GLASS
 DOOR LOCKSTILE

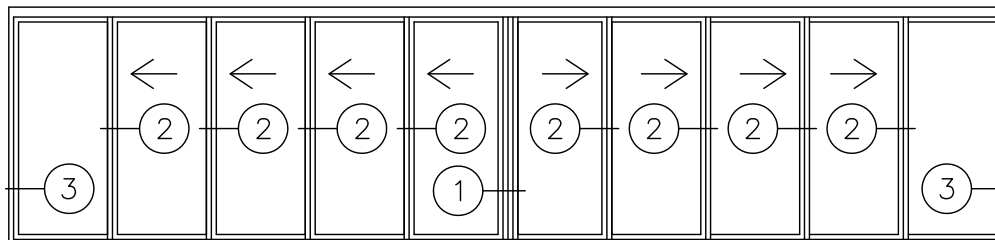
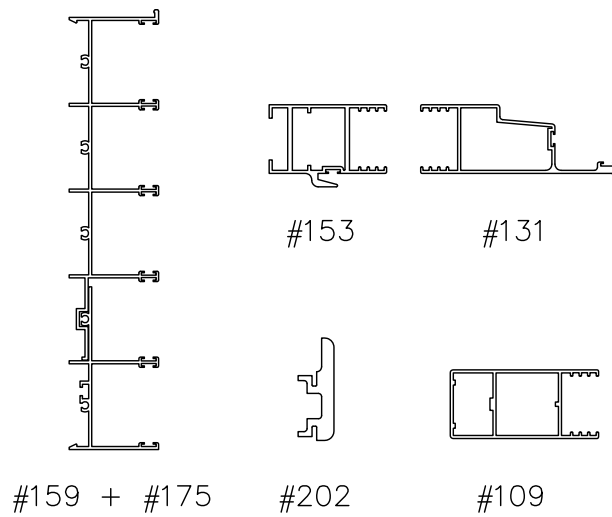
TYPICAL MULTI-SLIDING
 GLASS DOOR PANEL INTERLOCK

2



TYPICAL MULTI-SLIDING
 GLASS DOOR JAMB
 AT 1ST PANEL

EXTERIOR



08X0 MULTI-SLIDING GLASS DOOR EXTRUSIONS – NO POCKET
 DOUBLE GLAZED
 SCALE: 1:8