



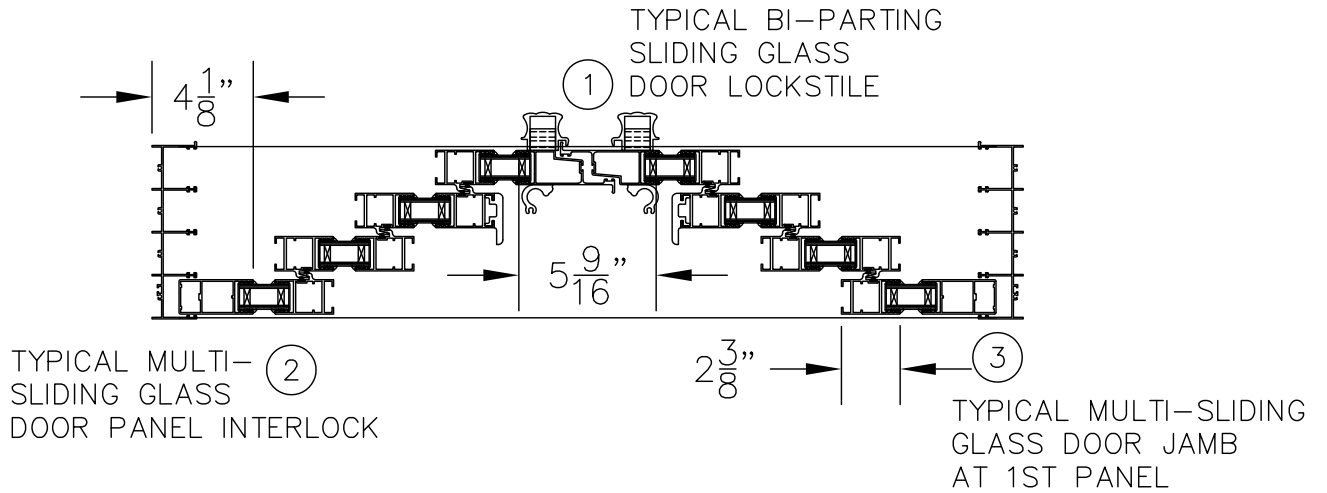
DOOR SYSTEM – RESIDENTIAL
 SERIES 151 – MULTI-SLIDING GLASS DOOR (MSD & MSD4)

1503 W. San Pedro St., Gilbert, Arizona 85233
 VOICE: 480-892-2600 / FAX : 480-892-0951

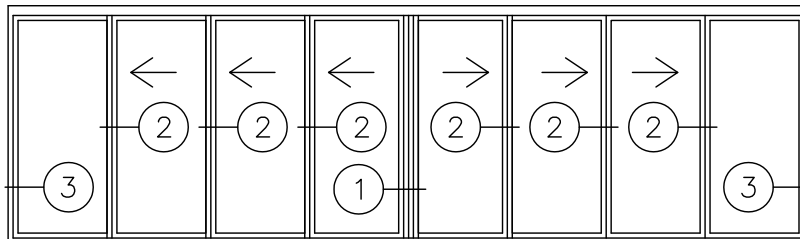
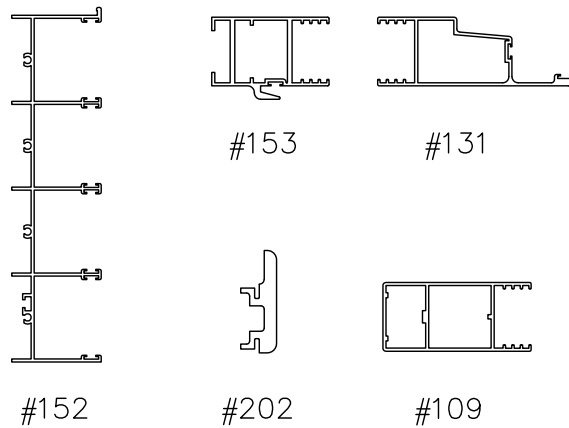
F21

DATE:
 12/5/13
DRAWINGS\BROPAGES\E-F\F21.DWG

INTERIOR



EXTERIOR



O6X0 MULTI-SLIDING GLASS DOOR EXTRUSIONS – NO POCKET
 DOUBLE GLAZED
 SCALE: 1:8