



DOOR SYSTEM – RESIDENTIAL  
 SERIES 151 – MULTI-SLIDING GLASS DOOR (S1 MSD & MSD4)

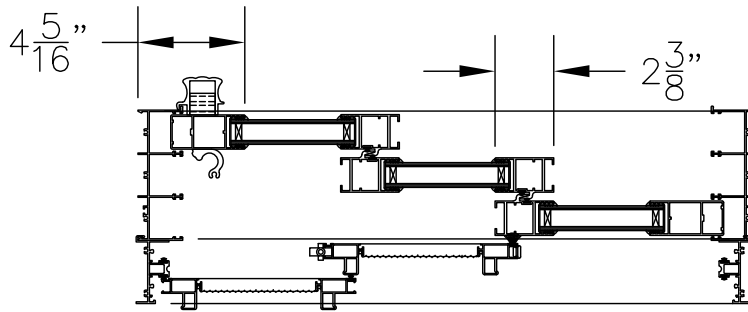
F17A

1503 W. San Pedro St., Gilbert, Arizona 85233  
 VOICE: 480-892-2600 / FAX : 480-892-0951

DATE:  
 6/20/13  
DRAWINGS\BROPAGES\E-F\F17A.DWG

INTERIOR

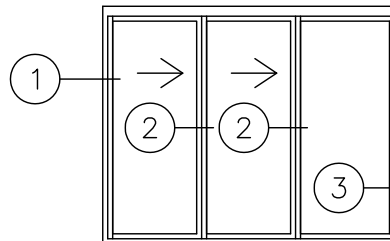
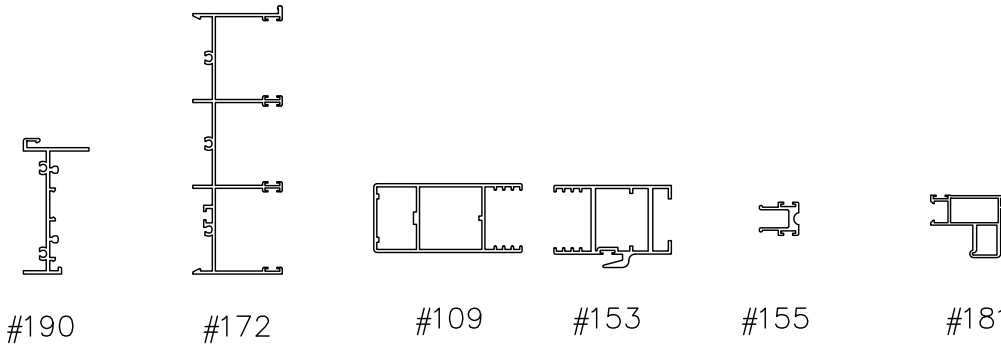
① TYPICAL MULTI-SLIDING GLASS DOOR JAMB + 190 SCREEN TRACK



TYPICAL MULTI-SLIDING GLASS DOOR PANEL INTERLOCK ②

③ TYPICAL MULTI-SLIDING GLASS DOOR INTERLOCK AT 1ST PANEL

EXTERIOR  
 2XO SHOWN



2XO SHOWN

02X OR 2XO MULTI-SLIDING GLASS DOOR WITH SCREENS – NO POCKET  
 DOUBLE GLAZED  
 SCALE: 1:8