



DOOR SYSTEM – RESIDENTIAL
SERIES 151 – MULTI–SLIDING GLASS DOOR (MSD & MSD4)

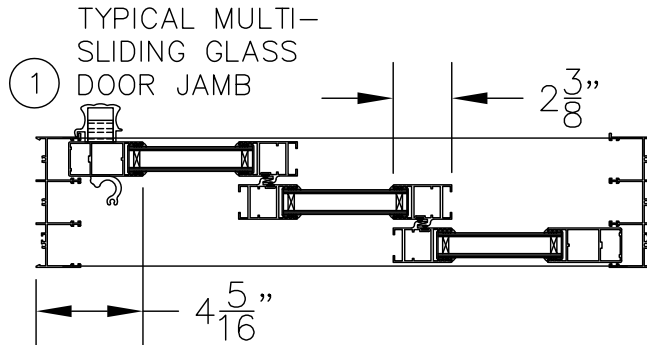
1503 W. San Pedro St., Gilbert, Arizona 85233
VOICE: 480–892–2600 / FAX : 480–892–0951

F17

DATE:
6/20/13

DRAWINGS\BROPAGES\E-F\F17.DWG

INTERIOR

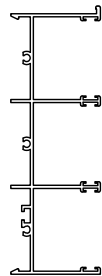


① TYPICAL MULTI–SLIDING GLASS DOOR JAMB

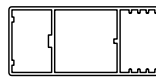
② TYPICAL MULTI–SLIDING GLASS DOOR PANEL INTERLOCK

③ TYPICAL MULTI–SLIDING GLASS DOOR INTERLOCK AT 1ST PANEL

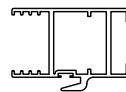
EXTERIOR
2XO SHOWN



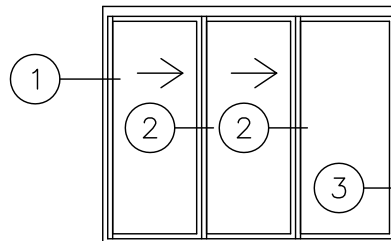
#172



#109



#153



2XO SHOWN

O2X OR 2XO MULTI–SLIDING GLASS DOOR EXTRUSIONS – NO POCKET
DOUBLE GLAZED
SCALE: 1:8