



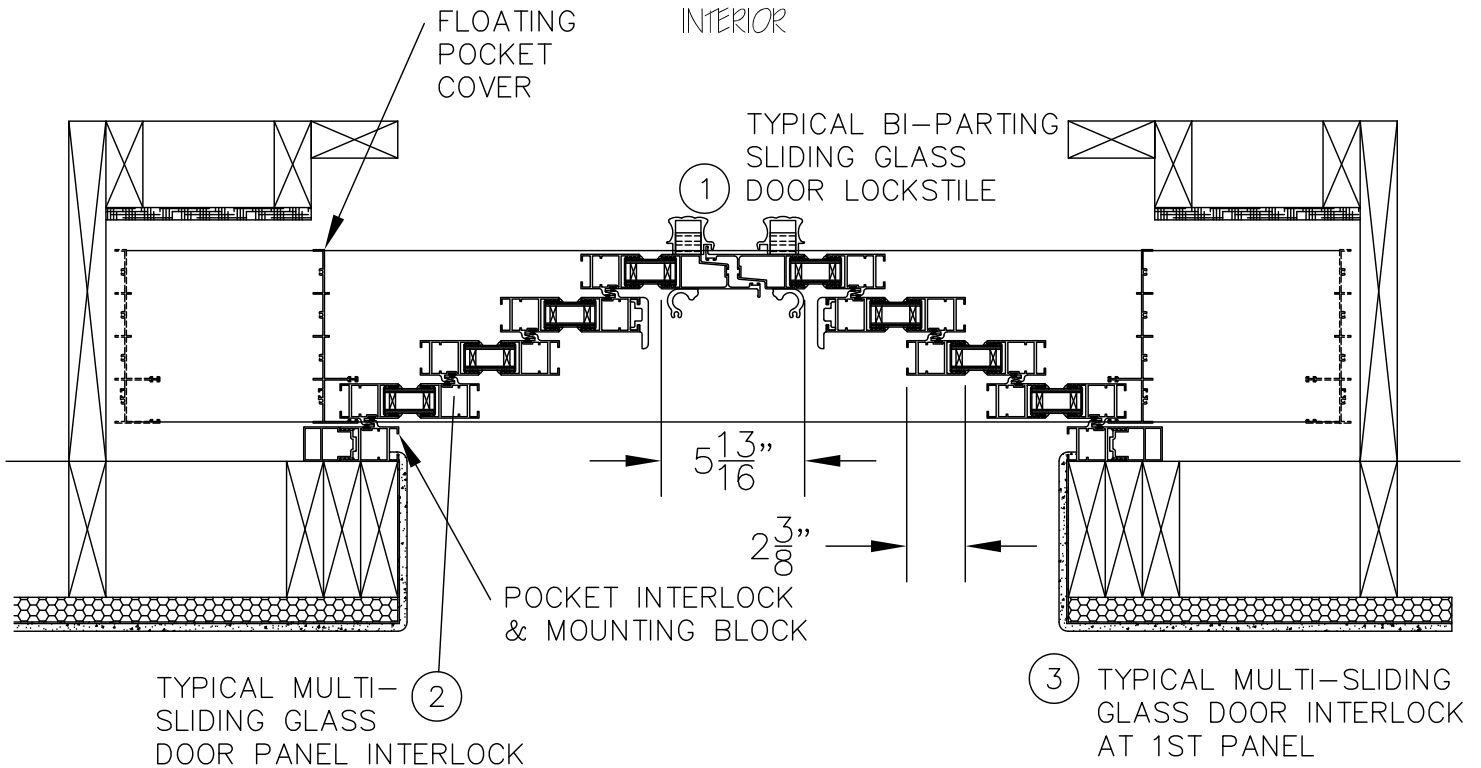
DOOR SYSTEM – RESIDENTIAL

SERIES 151 – MULTI-SLIDING GLASS DOOR (MSD & MSD4)

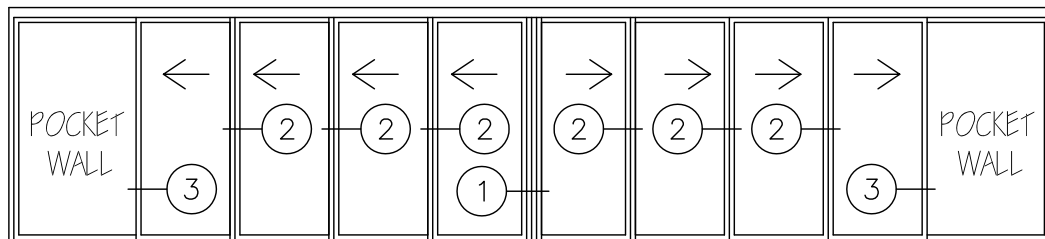
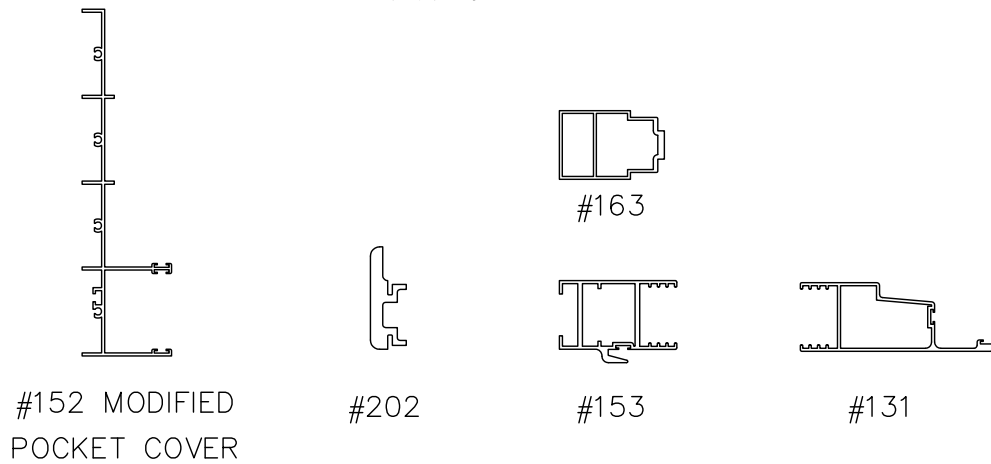
1503 W. San Pedro St., Gilbert, Arizona 85233
 VOICE: 480-892-2600 / FAX : 480-892-0951

F15

DATE:
 12/5/13
DRAWINGS\BROPAGES\E-F\F15.DWG



EXTERIOR



P8XP MULTI-SLIDING GLASS DOOR EXTRUSIONS – POCKET
 DOUBLE GLAZED
 SCALE: 1:8