



# DOOR SYSTEM - RESIDENTIAL

SERIES 151 - MULTI-SLIDING GLASS DOOR (MSD & MSD4)

1503 W. San Pedro St., Gilbert, Arizona 85233

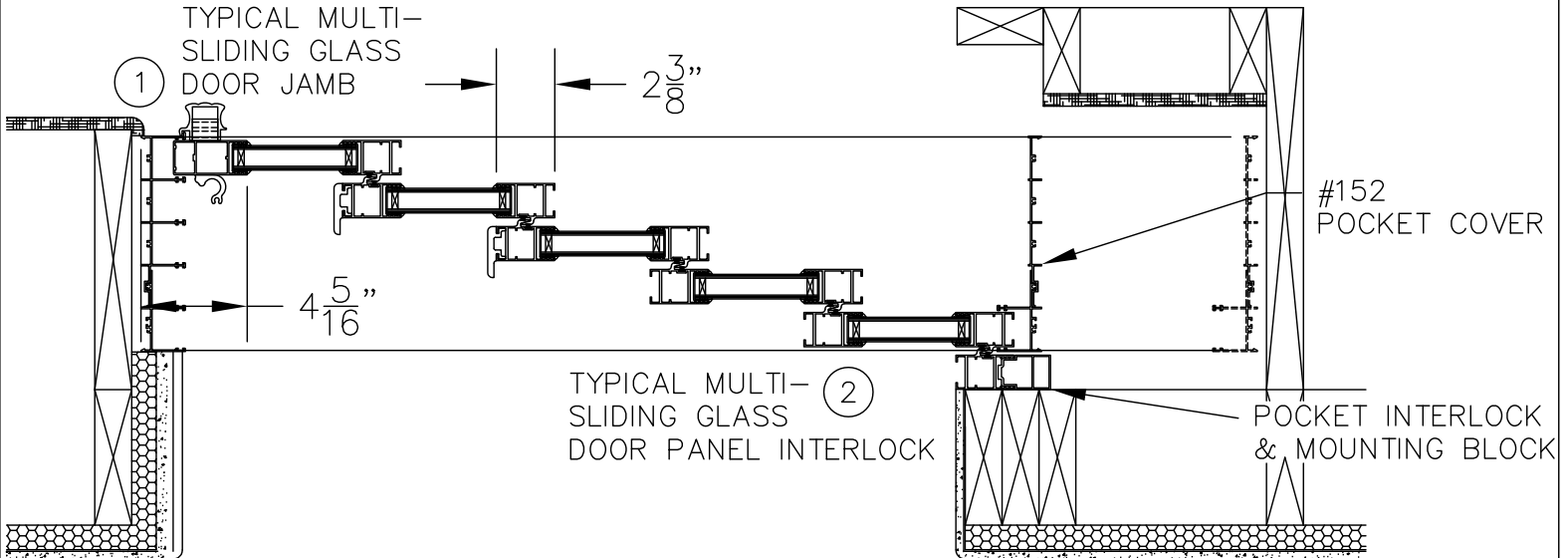
VOICE: 480-892-2600 / FAX : 480-892-0951

# F12A

DATE:  
6/20/13

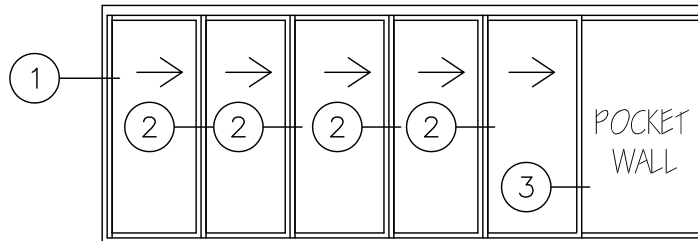
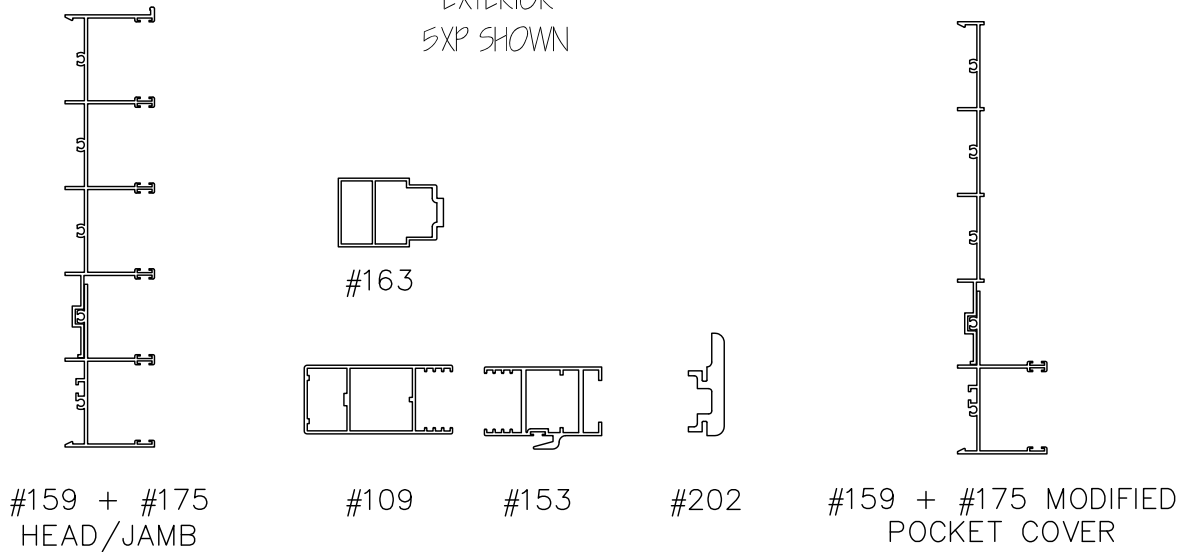
DRAWINGS\BROCHURES\B-F\P12a.DWG

INTERIOR



(3) TYPICAL MULTI-SLIDING GLASS DOOR INTERLOCK AT 1ST PANEL

EXTERIOR  
5XP SHOWN



5XP SHOWN

P5X OR 5XP MULTI-SLIDING GLASS DOOR EXTRUSIONS - POCKET DOUBLE GLAZED

SCALE: 1:8