



DOOR SYSTEM – RESIDENTIAL

SERIES 151 – MULTI-SLIDING GLASS DOOR (MSD & MSD4)

1503 W. San Pedro St., Gilbert, Arizona 85233

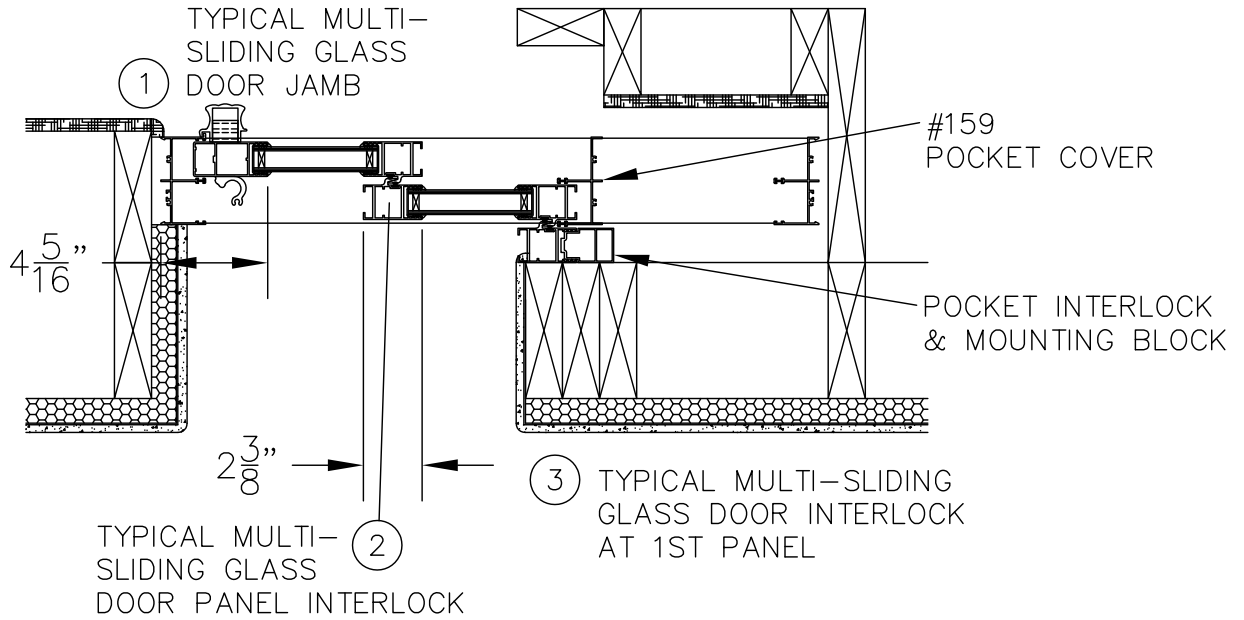
VOICE: 480-892-2600 / FAX : 480-892-0951

F10

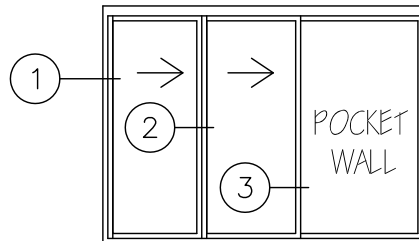
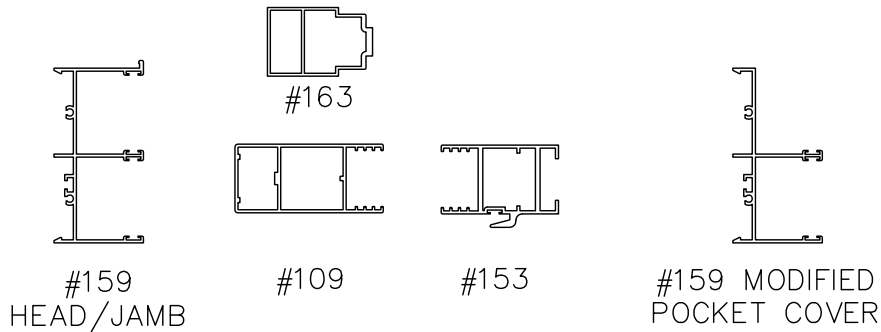
DATE:
6/20/13

DRAWINGS: BROPAGES\B-F\10.DWG

INTERIOR



EXTERIOR
2XP SHOWN



2XP SHOWN

P2X OR 2XP MULTI-SLIDING GLASS DOOR EXTRUSIONS – POCKET DOUBLE GLAZED

SCALE: 1:8