



DOOR SYSTEM – RESIDENTIAL  
 SERIES 151 – MULTI-SLIDING GLASS DOOR (MSD & MSD4)

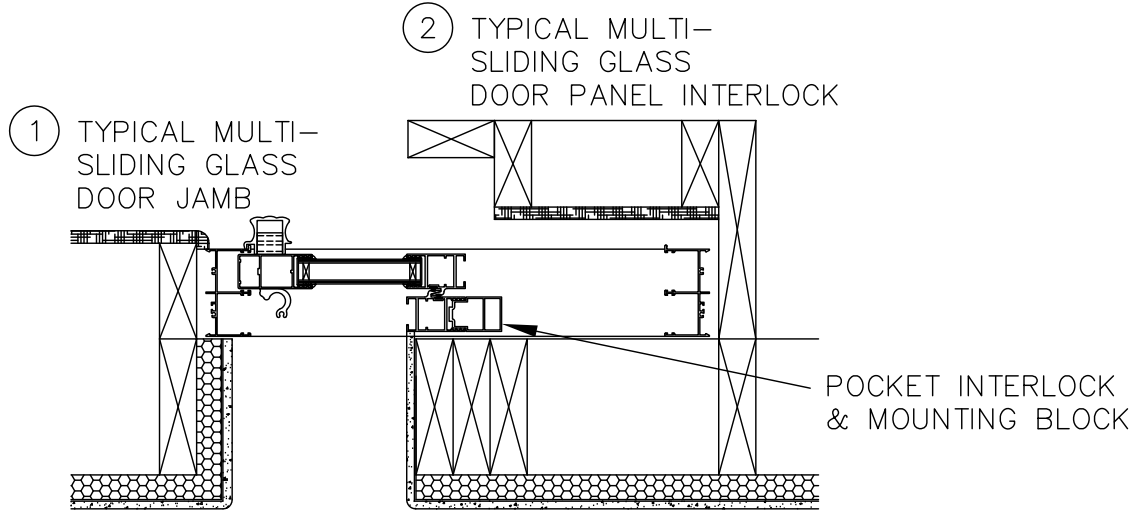
1503 W. San Pedro St., Gilbert, Arizona 85233  
 VOICE: 480-892-2600 / FAX : 480-892-0951

F9

DATE:  
 6/20/13

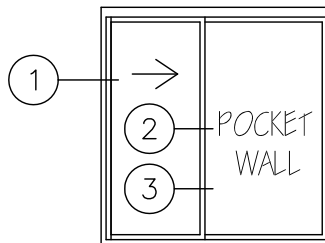
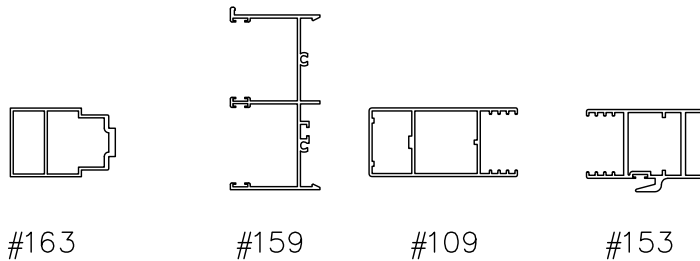
DRAWINGS\BROCHURES\F-F9.DWG

INTERIOR



③ TYPICAL MULTI-SLIDING GLASS DOOR INTERLOCK AT 1ST PANEL

EXTERIOR  
 XP SHOWN



XP SHOWN

PX OR XP MULTI-SLIDING GLASS DOOR EXTRUSIONS – POCKET DOUBLE GLAZED  
 SCALE: 1:8