



DOOR SYSTEM – RESIDENTIAL

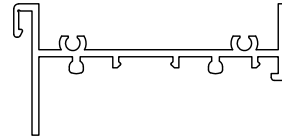
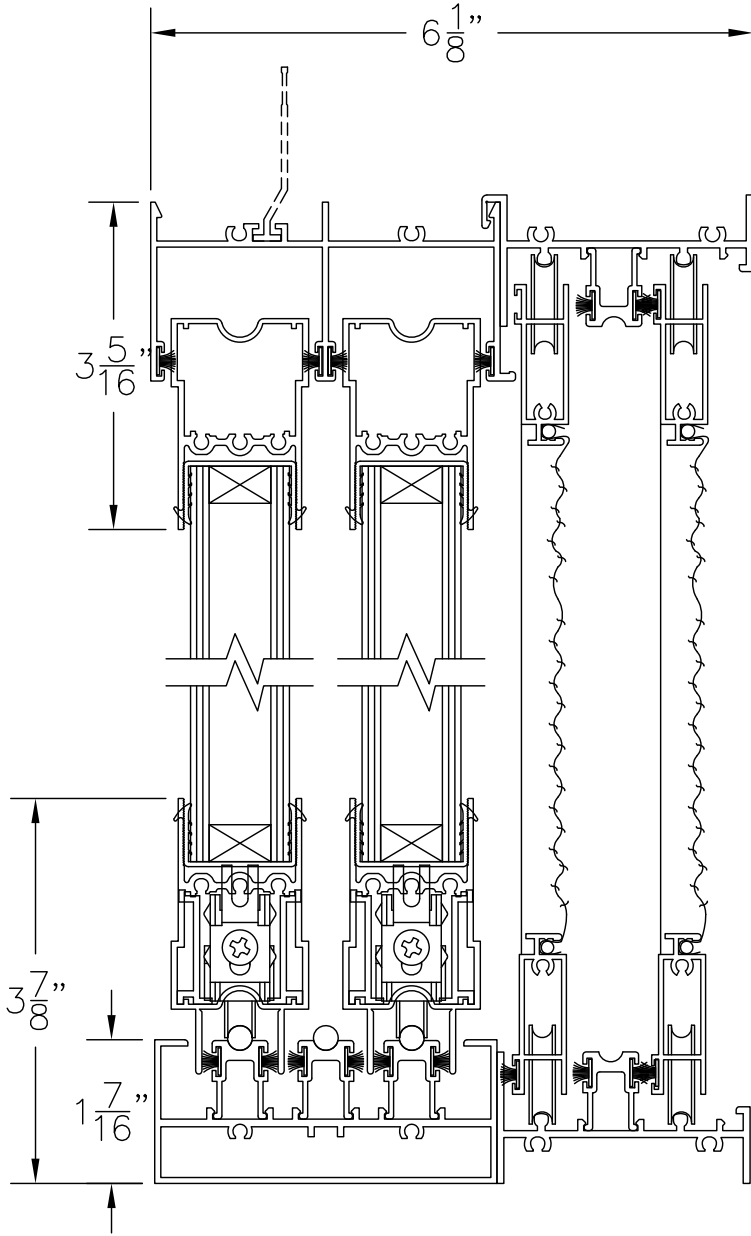
SERIES 151 – MULTI-SLIDING GLASS DOOR (S1 MSD)

F2E

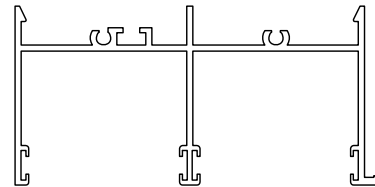
1503 W. San Pedro St., Gilbert, Arizona 85233
VOICE: 480-892-2600 / FAX : 480-892-0951

DATE:
7/24/13
DRAWINGS\BROPAGES\E-F\P28.DWG

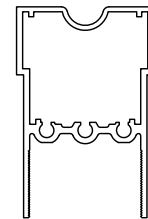
① MULTI-SLIDING GLASS DOOR
HEAD + 190 SCREEN TRACK



#190



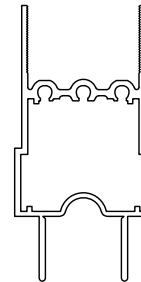
#159



#154
MODIFIED



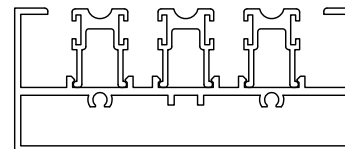
#155



#154



#179



#158+155

② MULTI-SLIDING GLASS DOOR
SILL + 190 (WITH SCREENS)

VERTICAL SECTION THROUGH MULTI-SLIDING GLASS DOOR WITH SCREENS
POCKET – DOUBLE GLAZED
SCALE: 1:2