



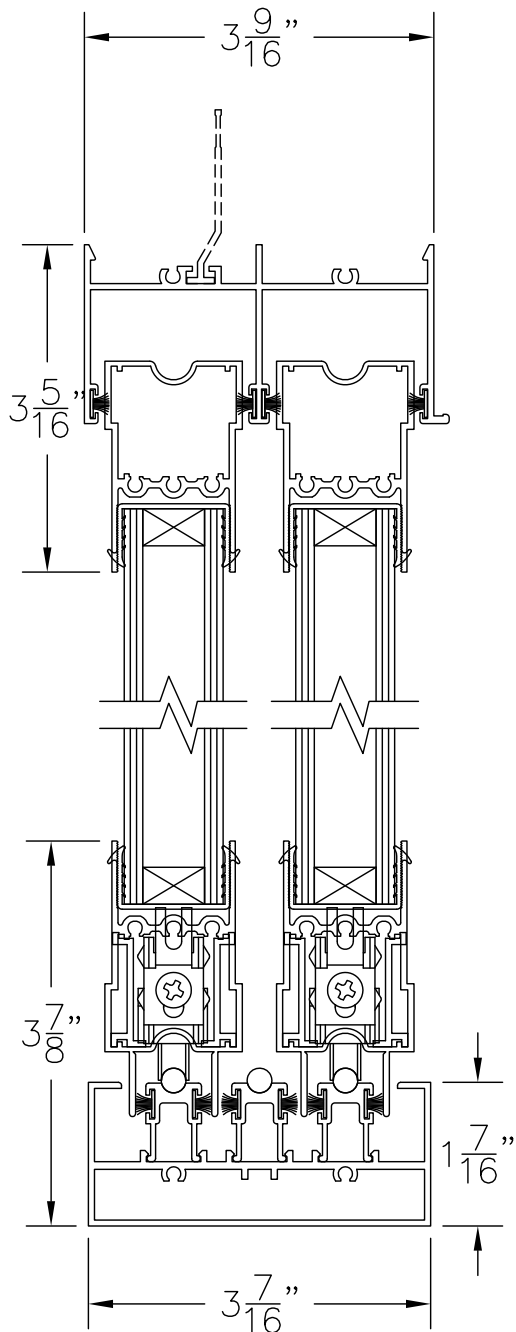
DOOR SYSTEM - RESIDENTIAL  
SERIES 151 - MULTI-SLIDING GLASS DOOR (MSD)

1503 W. San Pedro St., Gilbert, Arizona 85233  
VOICE: 480-892-2600 / FAX : 480-892-0951

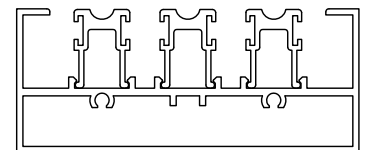
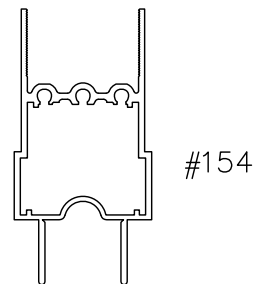
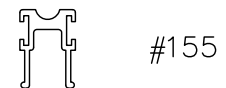
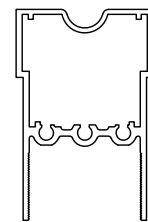
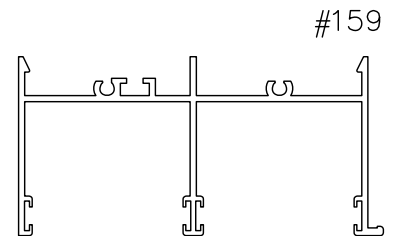
F2C

DATE:  
5/6/11

DRAWINGS\BROCHURES\F-F2C.DWG



① MULTI-SLIDING GLASS  
DOOR HEAD



② MULTI-SLIDING GLASS  
DOOR SILL

VERTICAL SECTION THROUGH MULTI-SLIDING GLASS DOOR  
DOUBLE GLAZED  
SCALE: 1:2