



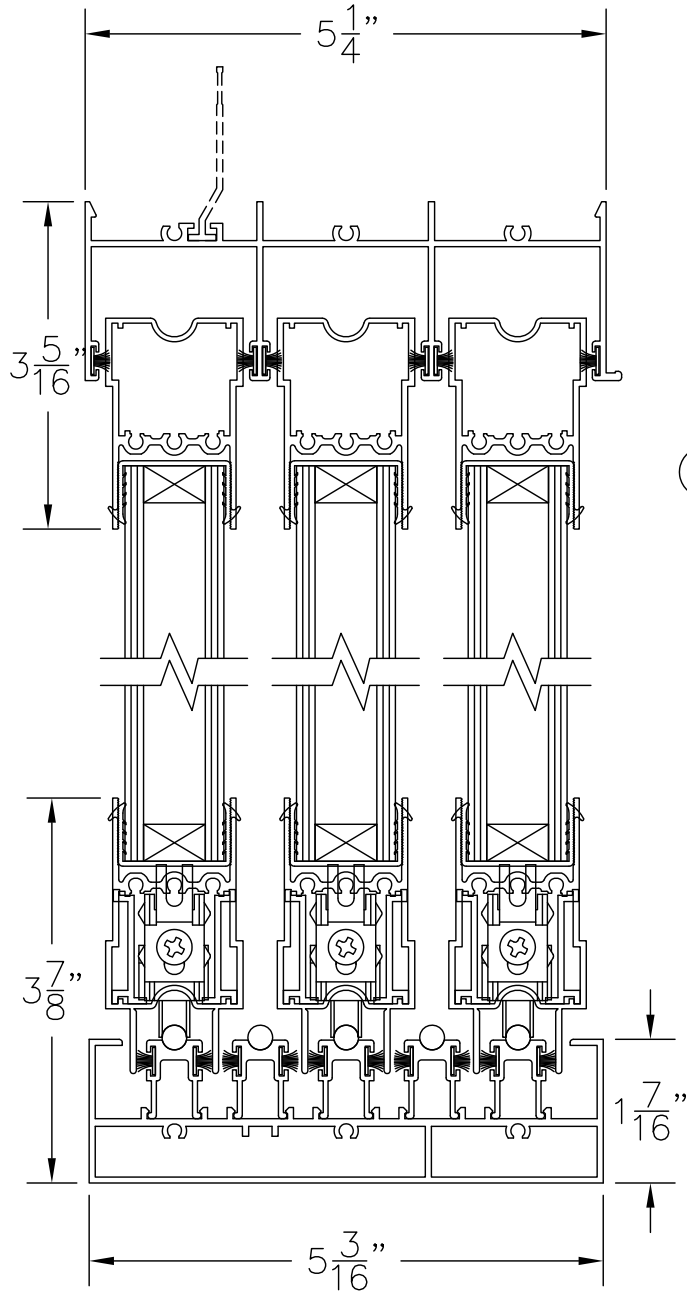
DOOR SYSTEM - RESIDENTIAL
SERIES 151 - MULTI-SLIDING GLASS DOOR (MSD)

1503 W. San Pedro St., Gilbert, Arizona 85233
VOICE: 480-892-2600 / FAX : 480-892-0951

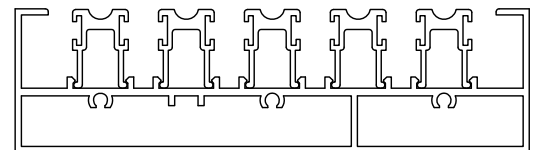
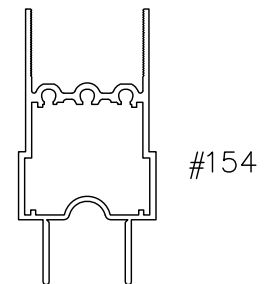
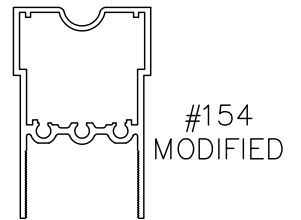
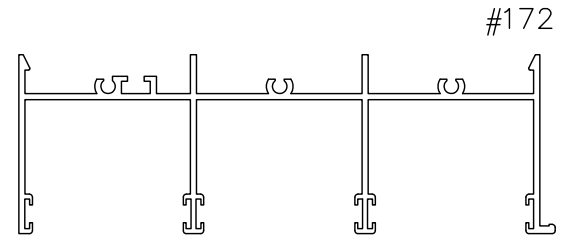
F2B

DATE:
5/6/11

DRAWINGS\BROGPAGES\F-F\2B.DWG



① MULTI-SLIDING GLASS
DOOR HEAD



② MULTI-SLIDING GLASS
DOOR SILL

VERTICAL SECTION THROUGH MULTI-SLIDING GLASS DOOR
DOUBLE GLAZED
SCALE: 1:2