



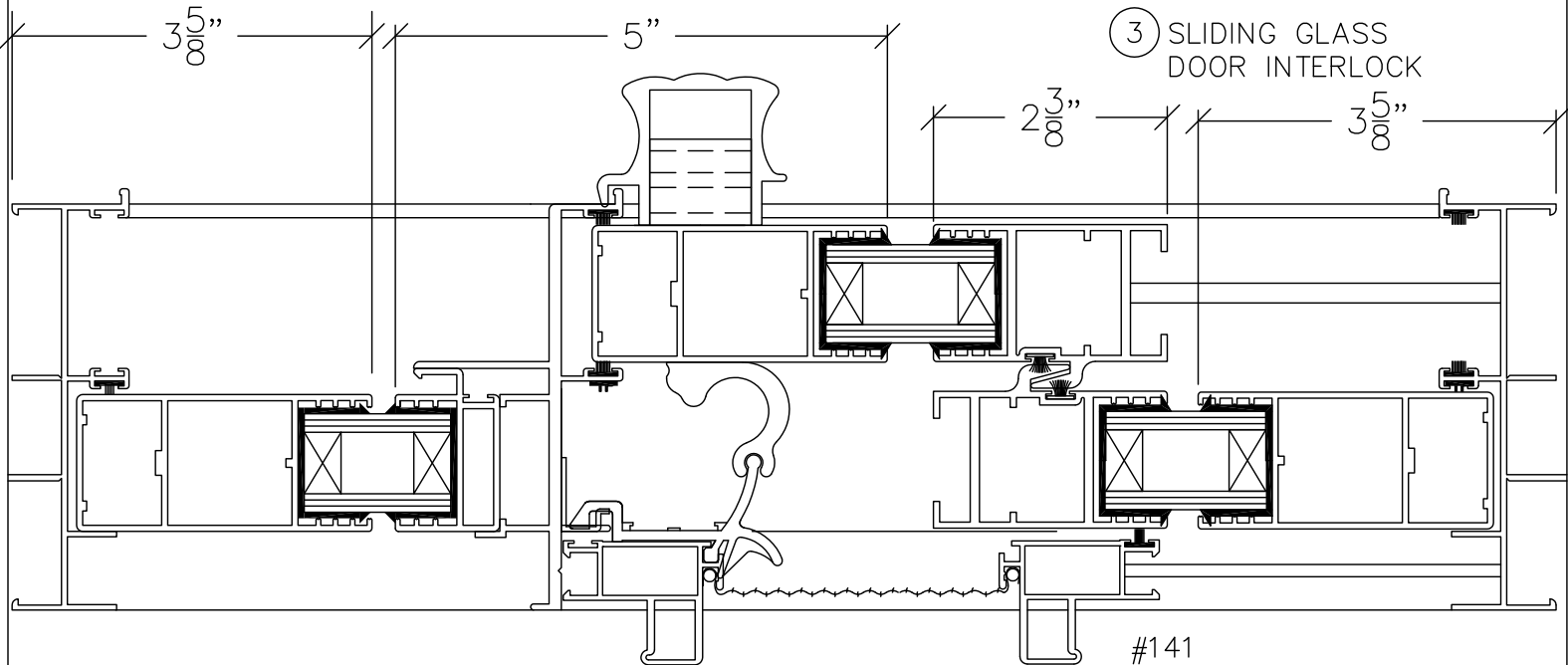
DOOR SYSTEM – RESIDENTIAL  
SERIES 111 – SLIDING GLASS DOOR – SGD3 / SGD4

1503 W. San Pedro St., Gilbert, Arizona 85233  
VOICE: 480-892-2600 / FAX : 480-892-0951

D5

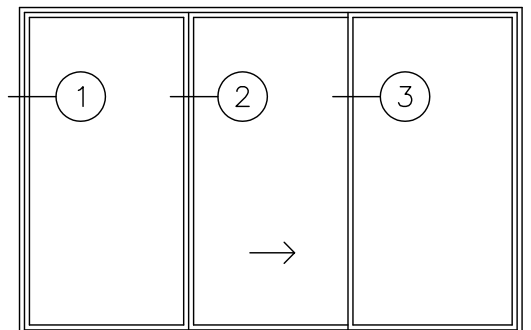
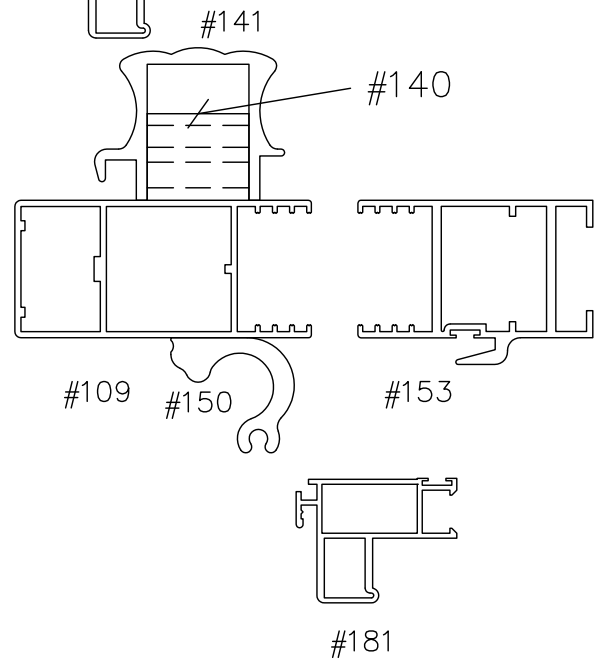
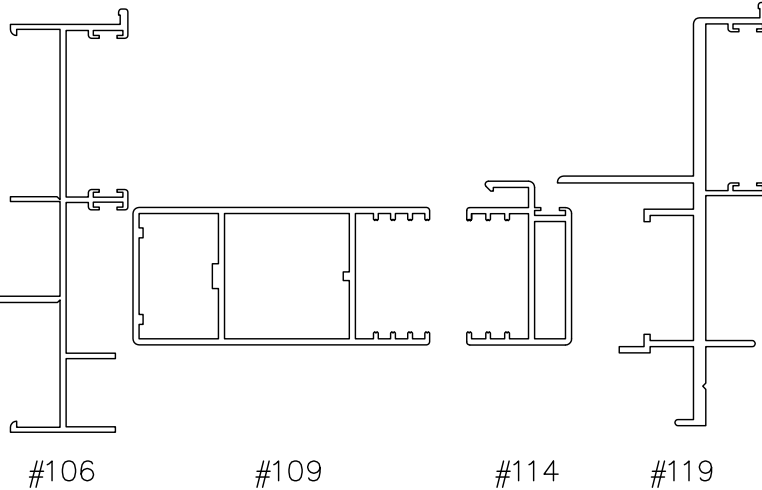
DATE:  
12/4/13

R:\DRAWINGS\BROPAGES\D5.DWG



① SLIDING GLASS DOOR JAMB

② TYPICAL SGD JAMB ADAPTOR OXO



HORIZONTAL SECTION THROUGH 3-PANEL SLIDING – SGD3 / SGD4  
GLASS DOOR DOUBLE GLAZED

SCALE: 1:2