



# DOOR SYSTEM – RESIDENTIAL

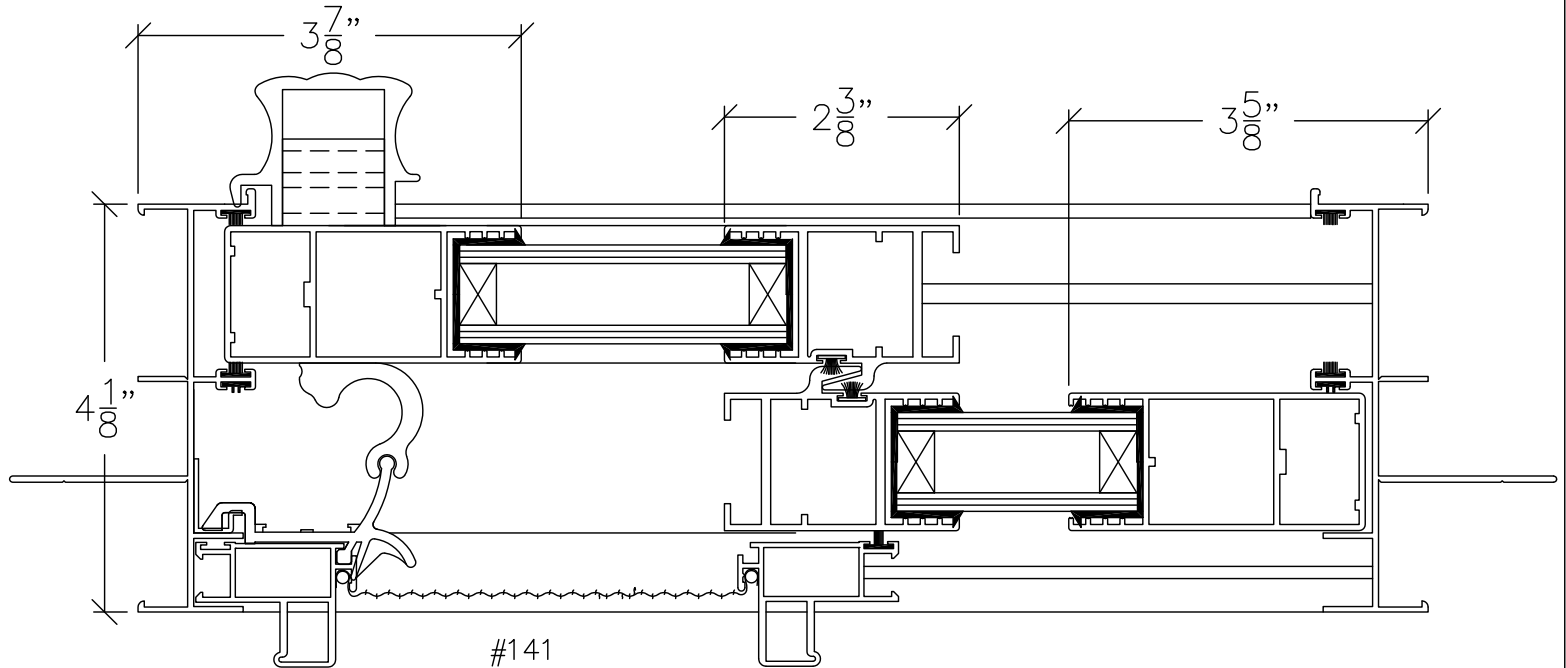
SERIES 111 – SLIDING GLASS DOOR – SGD3 / SGD4

1503 W. San Pedro St., Gilbert, Arizona 85233  
VOICE: 480-892-2600 / FAX : 480-892-0951

D4

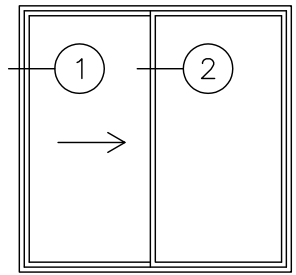
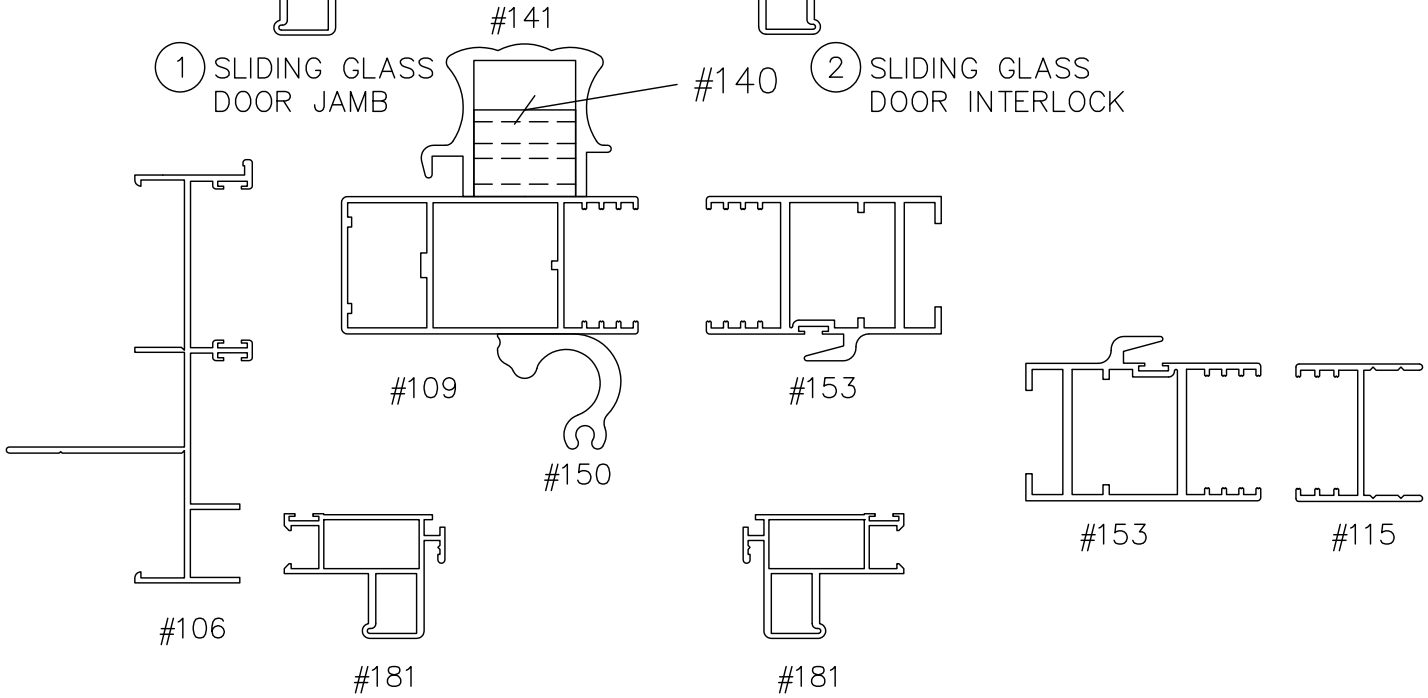
DATE:  
12/4/13

R:\DRAWINGS\BROPAGE'S\D4.DWG



① SLIDING GLASS DOOR JAMB

② SLIDING GLASS DOOR INTERLOCK



HORIZONTAL SECTION THROUGH SLIDING GLASS DOOR – SGD3 / SGD4  
DOUBLE GLAZED

SCALE: 1:2