



DOOR SYSTEM - RESIDENTIAL

SERIES 111 - SLIDING GLASS DOOR - SGD3

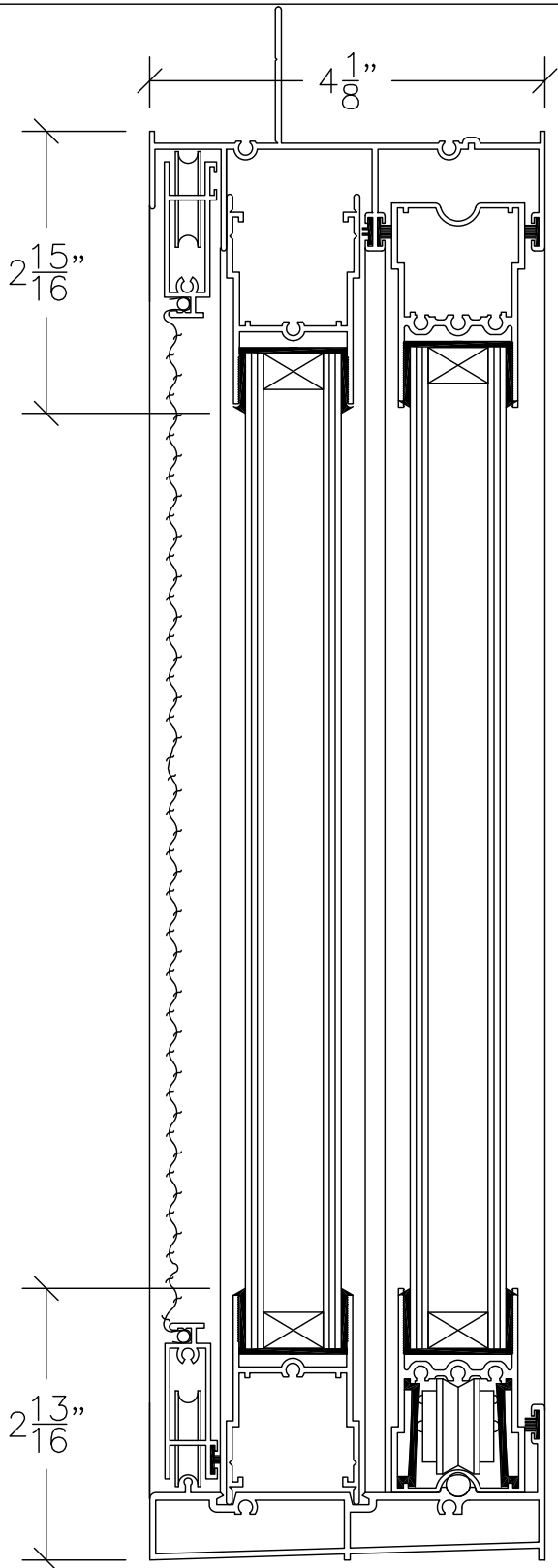
1503 W. San Pedro St., Gilbert, Arizona 85233

VOICE: 480-892-2600 / FAX : 480-892-0951

D2

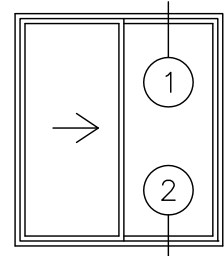
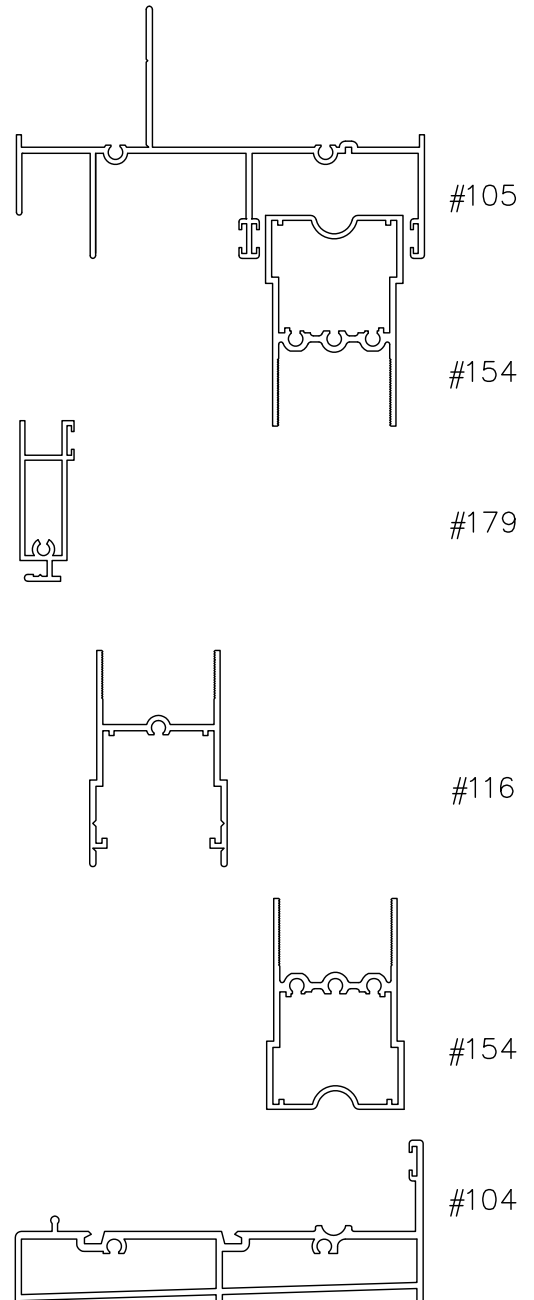
DATE:
12/4/13

R:\DRAWINGS\BROPAGE\D2.DWG



① SLIDING GLASS DOOR HEAD

② SLIDING GLASS DOOR SILL



VERTICAL SECTION THROUGH SLIDING GLASS DOOR - SGD3 DOUBLE GLAZED

SCALE: 1:2