



SLIDE AND STACK

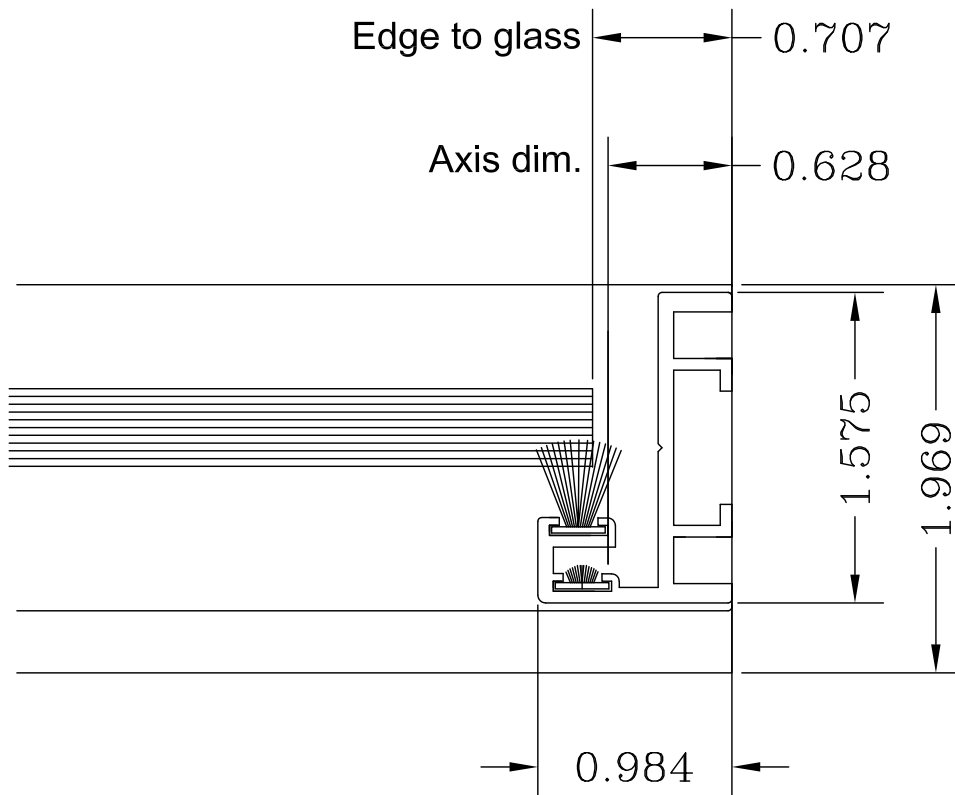
Wall jamb, closing side

CO4

1503 W. San Pedro St., Gilbert, Arizona 85233
VOICE: 480-892-2600 / FAX : 480-892-0951

DATE:
1/24/11

R:\DRAWINGS\BROPAGES\W.M.DWG



SCALE: 1:1