

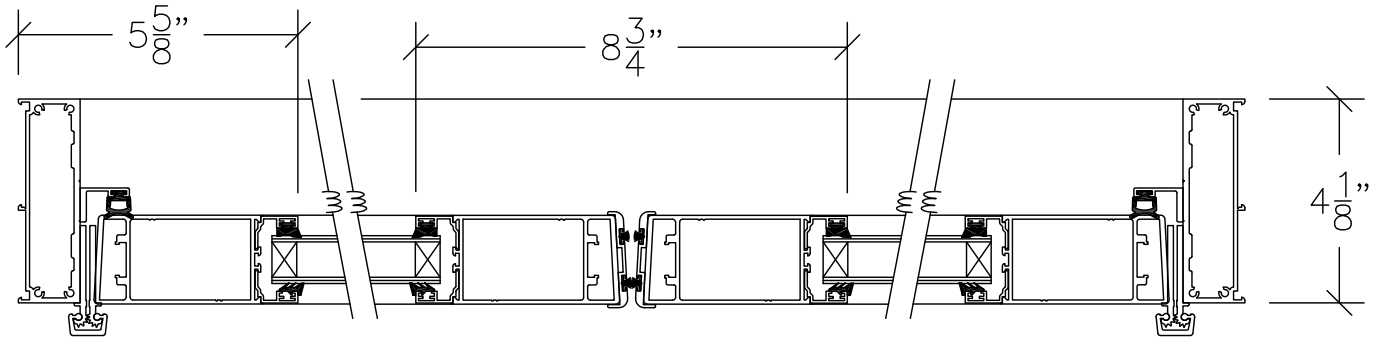


WINDOW SYSTEM
SERIES 430 - SWINGING DOOR

B6

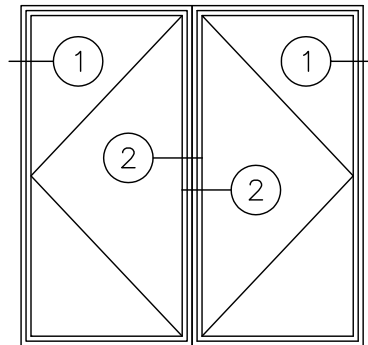
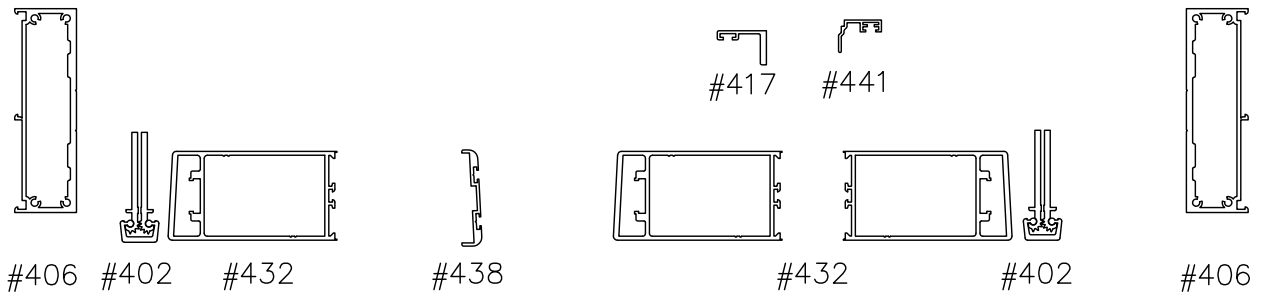
1503 W. San Pedro St., Gilbert, Arizona 85233
VOICE: 480-892-2600 / FAX : 480-892-0951

DATE:
1/25/13
R:\DRAWINGS\BROPAGES\A-B\B6.DWG



① TYPICAL JAMB &
DOOR STILE

② ACTIVE / ACTIVE



HORIZONTAL SECTION THROUGH HINGE/LOCKSTILE
ACTIVE / ACTIVE FRDR
SCALE: QUARTER SIZE