

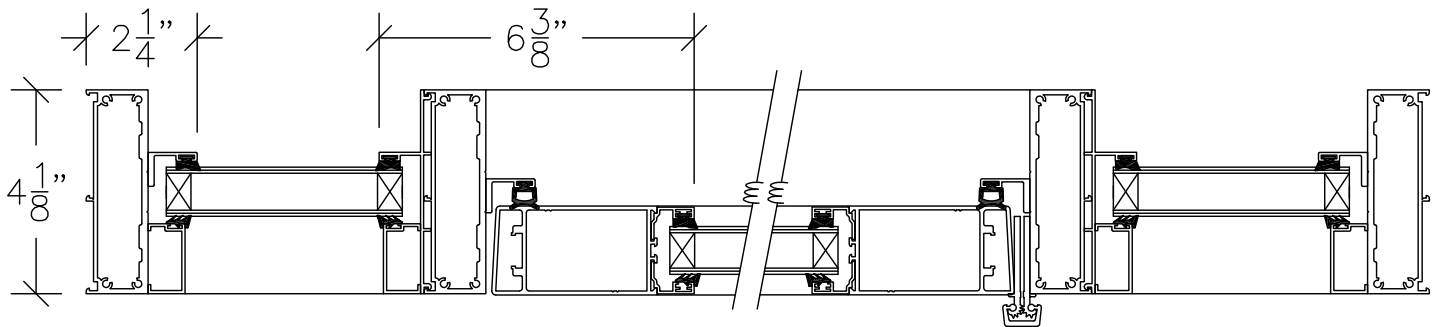


WINDOW SYSTEM
SERIES 430 - SWINGING DOOR
HINGE RIGHT - SWING OUT

B5

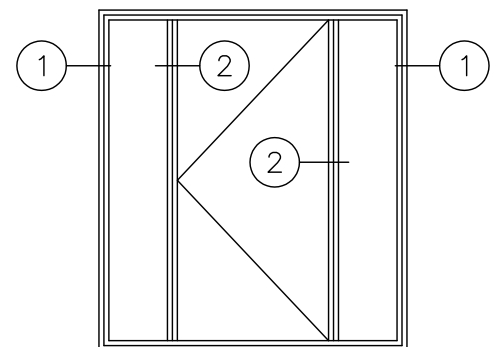
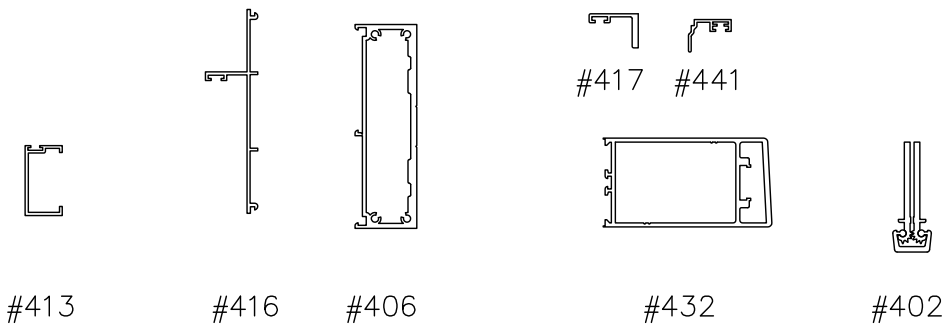
1503 W. San Pedro St., Gilbert, Arizona 85233
VOICE: 480-892-2600 / FAX : 480-892-0951

DATE:
1/25/13
R:\DRAWINGS\BROPAGES\A-B\B5.DWG



① TYPICAL JAMB

② TYPICAL DOOR STILE



HORIZONTAL SECTION THROUGH SIDELITES
OF SINGLE SWINGING DOOR
SCALE: QUARTER SIZE