



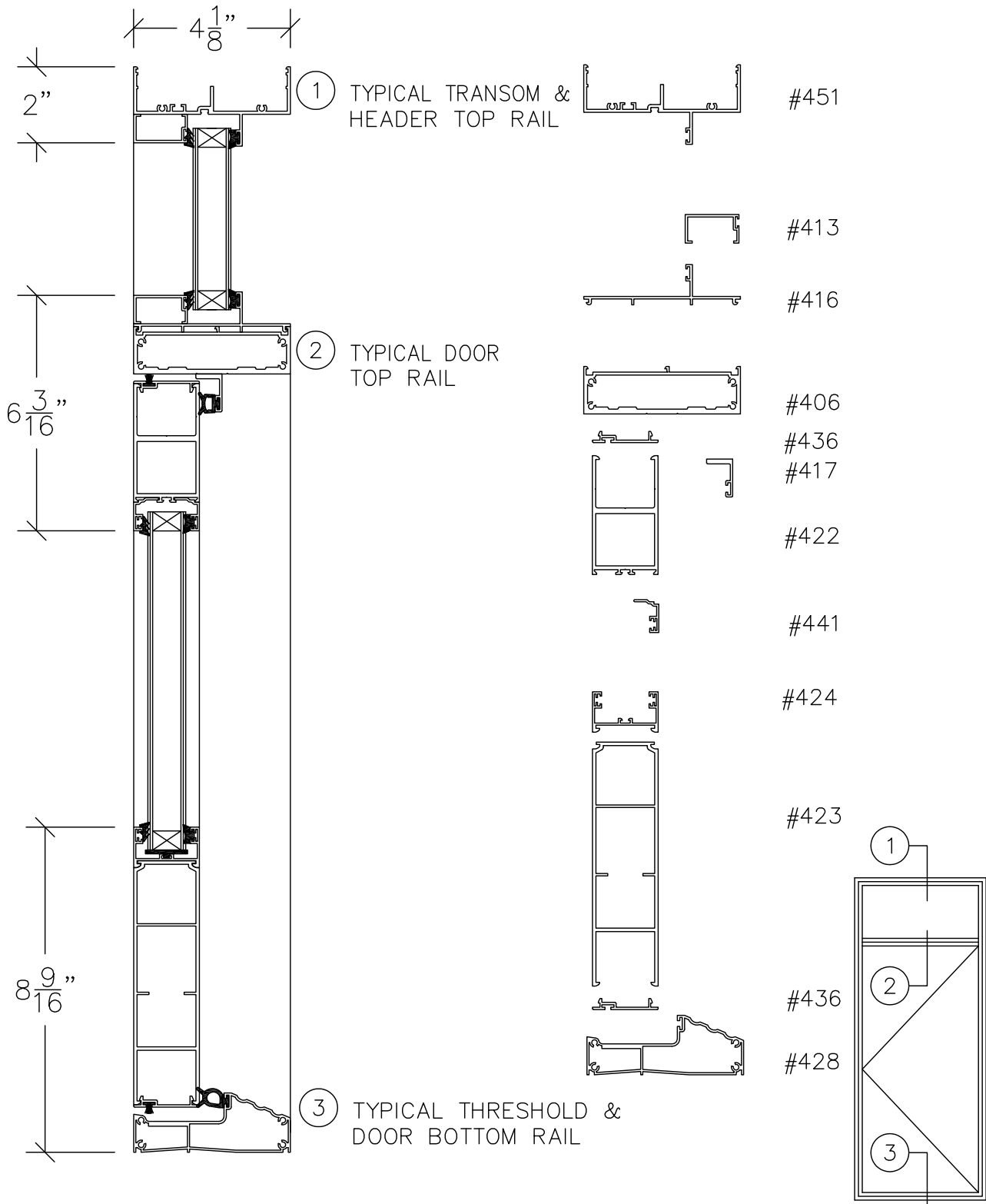
WINDOW SYSTEM  
SERIES 430 - SWINGING DOOR

1503 W. San Pedro St., Gilbert, Arizona 85233  
VOICE: 480-892-2600 / FAX : 480-892-0951

B4

DATE:  
1/25/13

R:\DRAWINGS\BROFAGES\A-B\B4.DWG



VERTICAL SECTION THROUGH TRANSOM OF SINGLE/PAIR SWINGING DOORS  
SCALE: QUARTER SIZE