

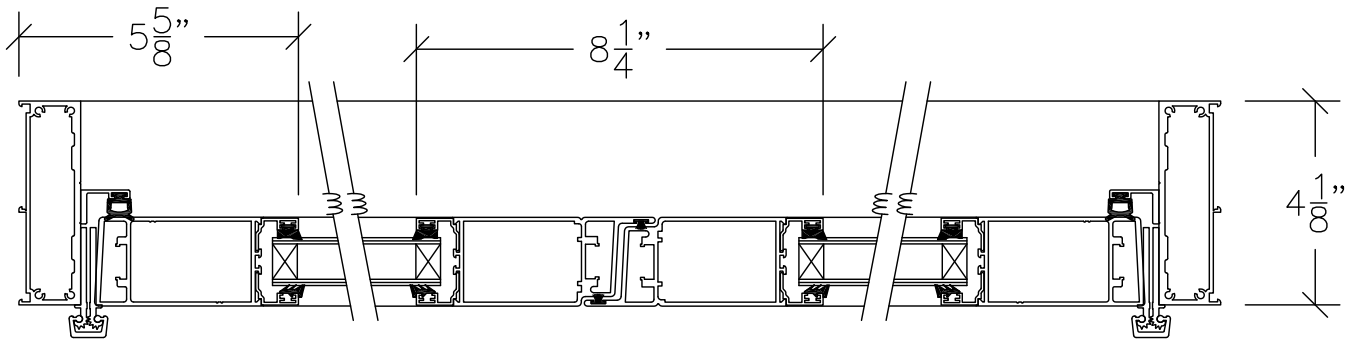


WINDOW SYSTEM
SERIES 430 - SWINGING DOOR

B3

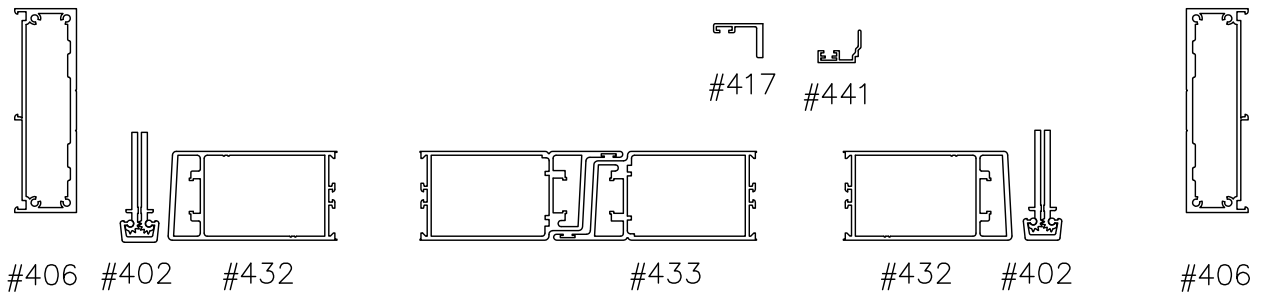
1503 W. San Pedro St., Gilbert, Arizona 85233
VOICE: 480-892-2600 / FAX : 480-892-0951

DATE:
1/25/13
R:\DRAWINGS\BROPAGES\A-B\B3.DWG



① TYPICAL JAMB & DOOR STILE

② TYPICAL ASTRAGAL DOOR STILE



HORIZONTAL SECTION THROUGH HINGE/LOCKSTILE
OF PAIR SWINGING DOOR
SCALE: QUARTER SIZE