

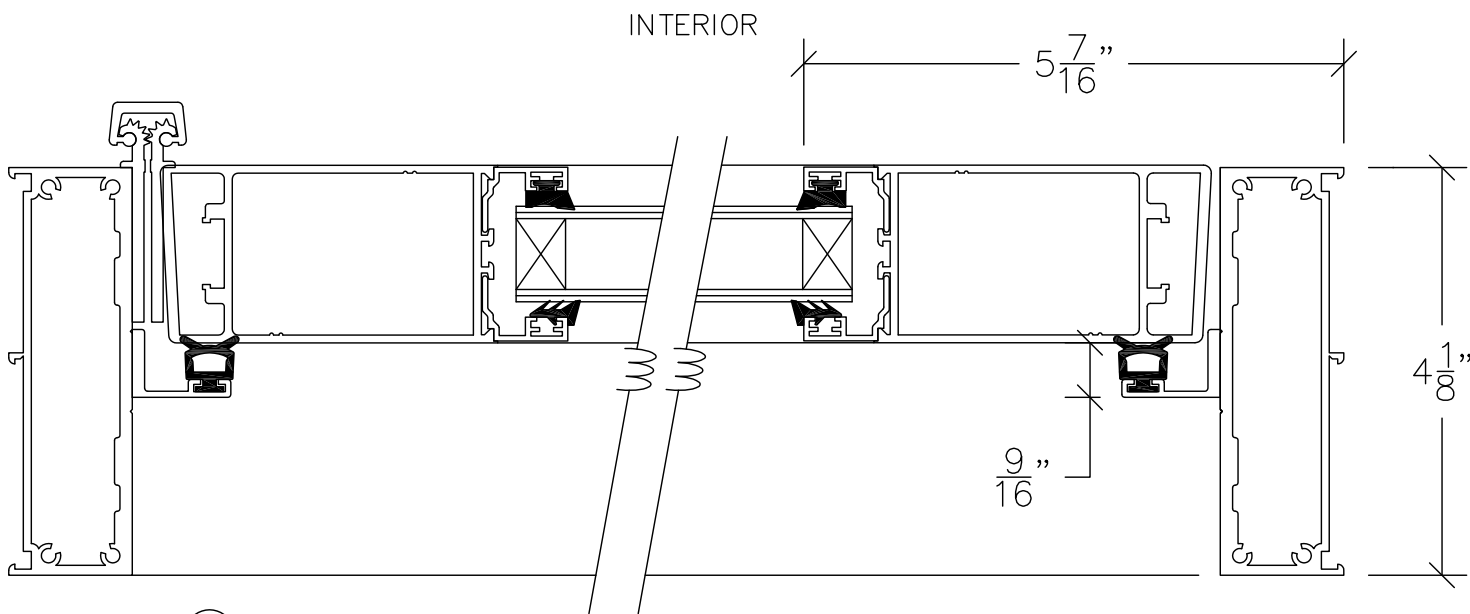


WINDOW SYSTEM  
SERIES 430 - SWINGING DOOR  
HINGE LEFT - SWING IN

B2C

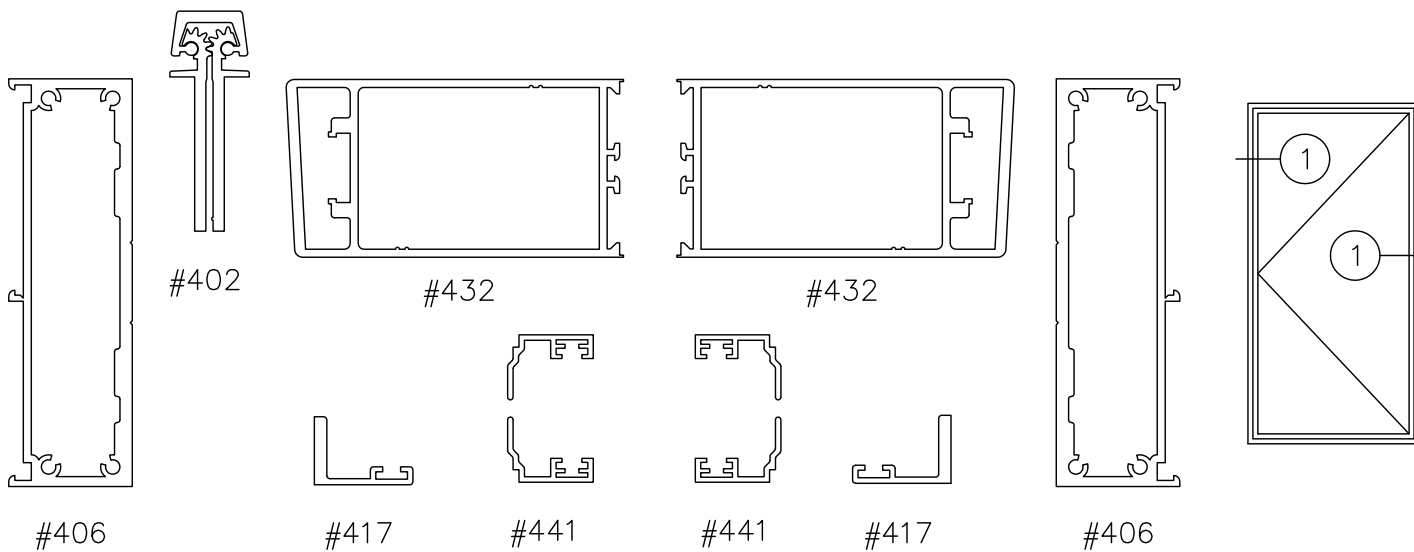
1503 W. San Pedro St., Gilbert, Arizona 85233  
VOICE: 480-892-2600 / FAX : 480-892-0951

DATE:  
1/25/13  
R:\DRAWINGS\BROPAGES\A-B\B2C.DWG



① TYPICAL JAMB & DOOR STILE

EXTERIOR



HORIZONTAL SECTION THROUGH HINGE/LOCKSTILE  
OF SINGLE SWINGING DOOR  
SCALE: HALF SIZE