

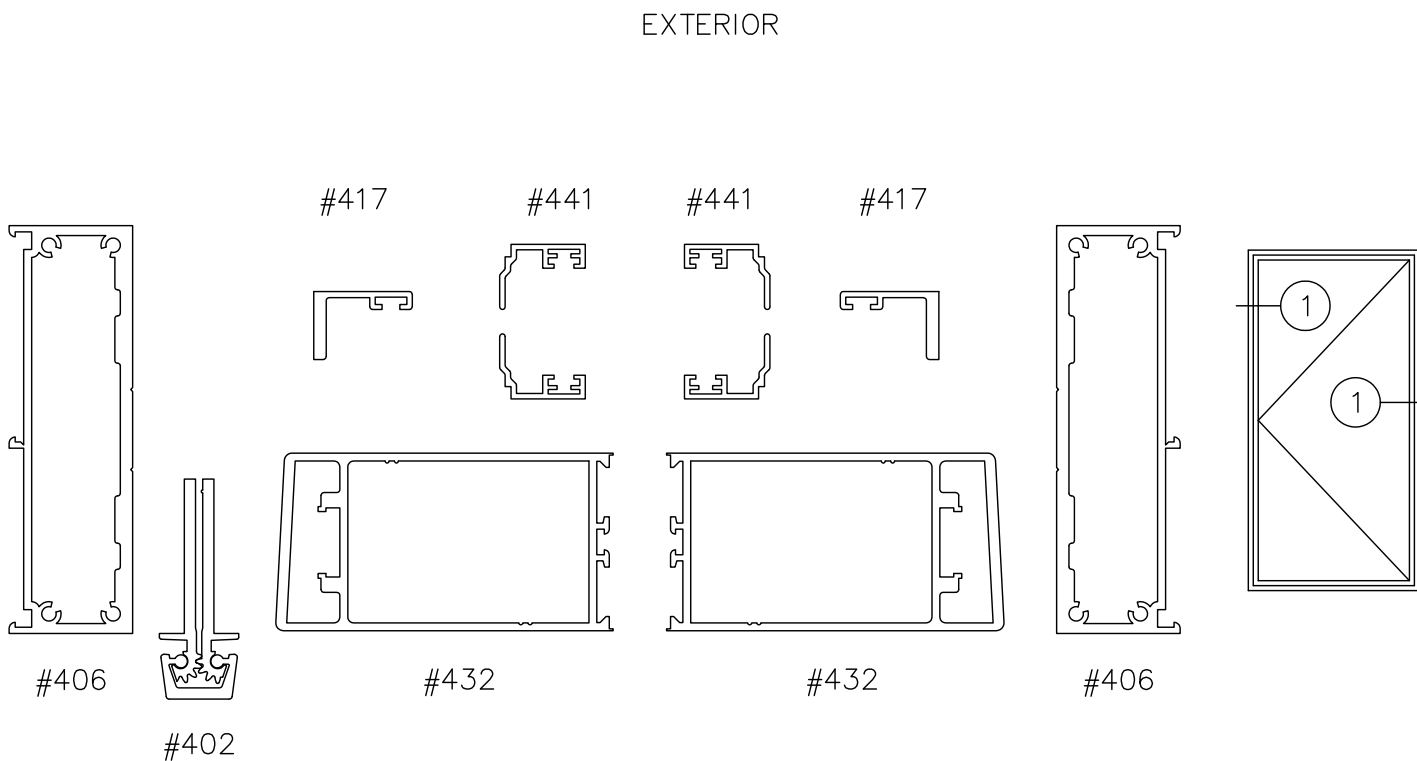
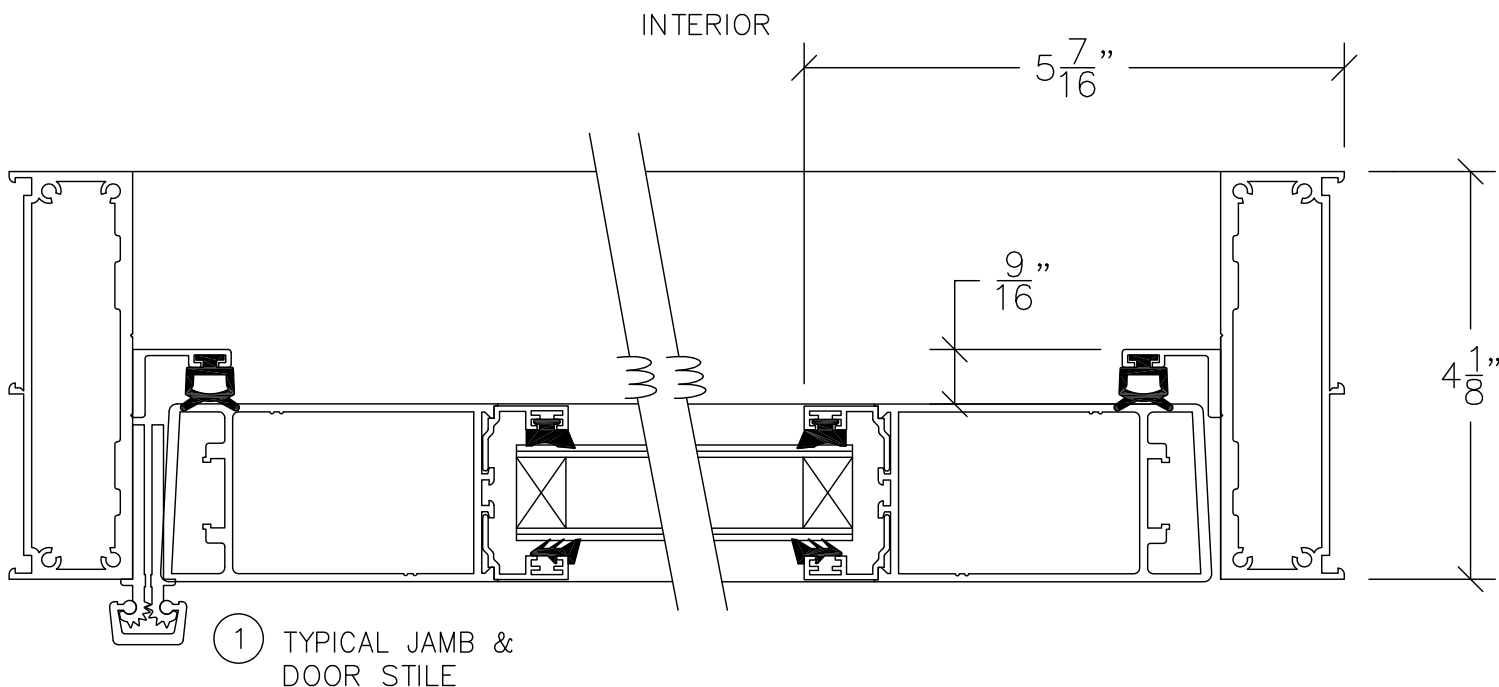


WINDOW SYSTEM
SERIES 430 - SWINGING DOOR
HINGE LEFT - SWING OUT

B2A

1503 W. San Pedro St., Gilbert, Arizona 85233
VOICE: 480-892-2600 / FAX : 480-892-0951

DATE:
1/25/13
R:\DRAWINGS\BROFAGES\A-B\B2A.DWG



HORIZONTAL SECTION THROUGH HINGE/LOCKSTILE
OF SINGLE SWINGING DOOR
SCALE: HALF SIZE