



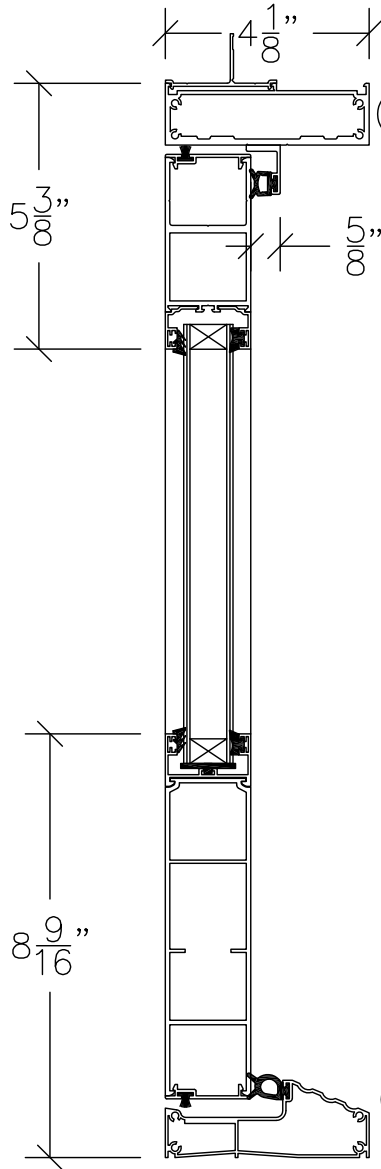
WINDOW SYSTEM
SERIES 430 - SWINGING DOOR
SWING OUT

B1

1503 W. San Pedro St., Gilbert, Arizona 85233
VOICE: 480-892-2600 / FAX : 480-892-0951

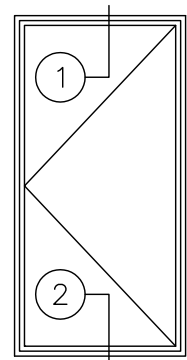
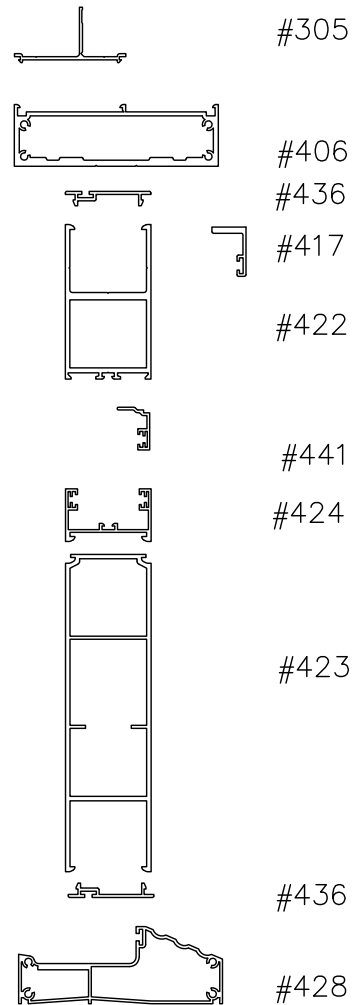
DATE:
1/25/13

R:\DRAWINGS\BROPAGE\A-B\B1.DWG



① TYPICAL HEADER &
DOOR TOP RAIL

② TYPICAL THRESHOLD &
DOOR BOTTOM RAIL



VERTICAL SECTION THROUGH SINGLE/PAIR
SWINGING DOORS
SCALE: QUARTER SIZE