



WINDOW SYSTEM

SERIES 400 - WINDOW WALL

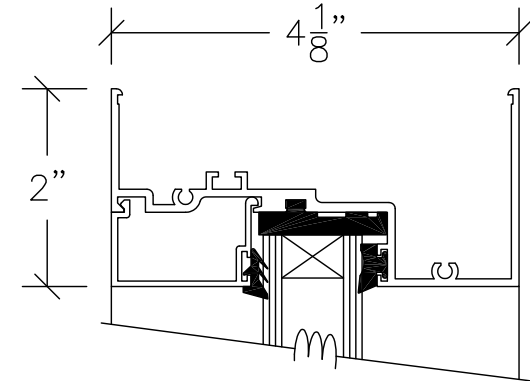
1503 W. San Pedro St., Gilbert, Arizona 85233

VOICE: 480-892-2600 / FAX : 480-892-0951

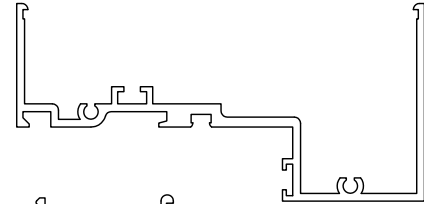
A7

DATE:
7/24/13

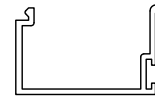
R:\DRAWINGS\BROGPAGES\A-B\A7.DWG



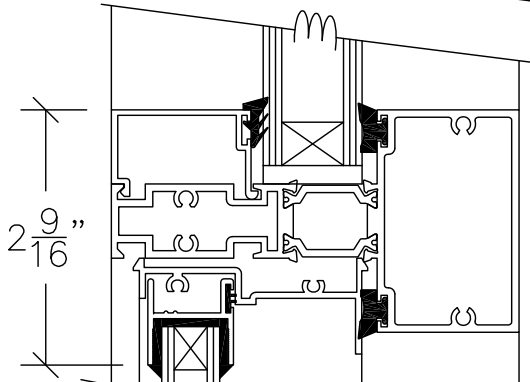
① PERIMETER FRAME
HEAD/JAMB



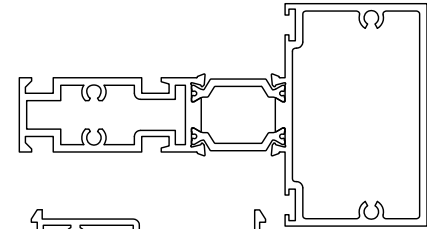
#452



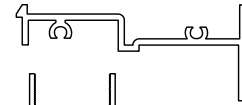
#411



② HORIZONTAL MUNTIN



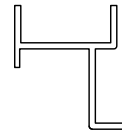
#1447



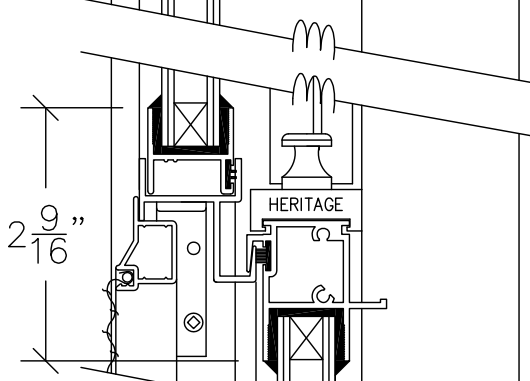
#214



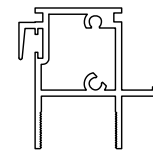
#227



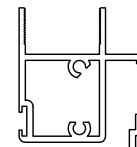
#219



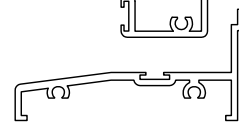
③ PERIMETER FRAME
SILL



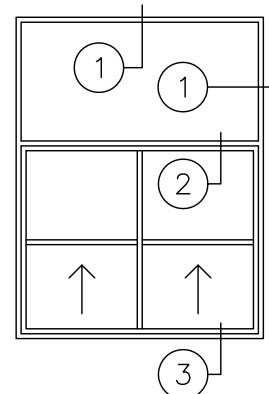
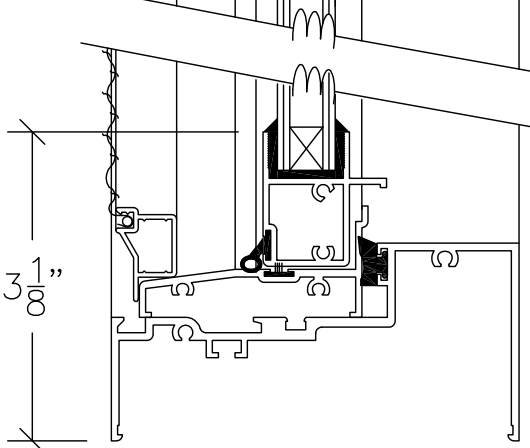
#226



#225



#213



4 1/8" PERIMETER FRAME & MUNTIN DETAIL
W/ SINGLE HUNG INSERT - DOUBLE GLAZED

SCALE: HALF SIZE