



WINDOW SYSTEM

SERIES 400 - WINDOW WALL

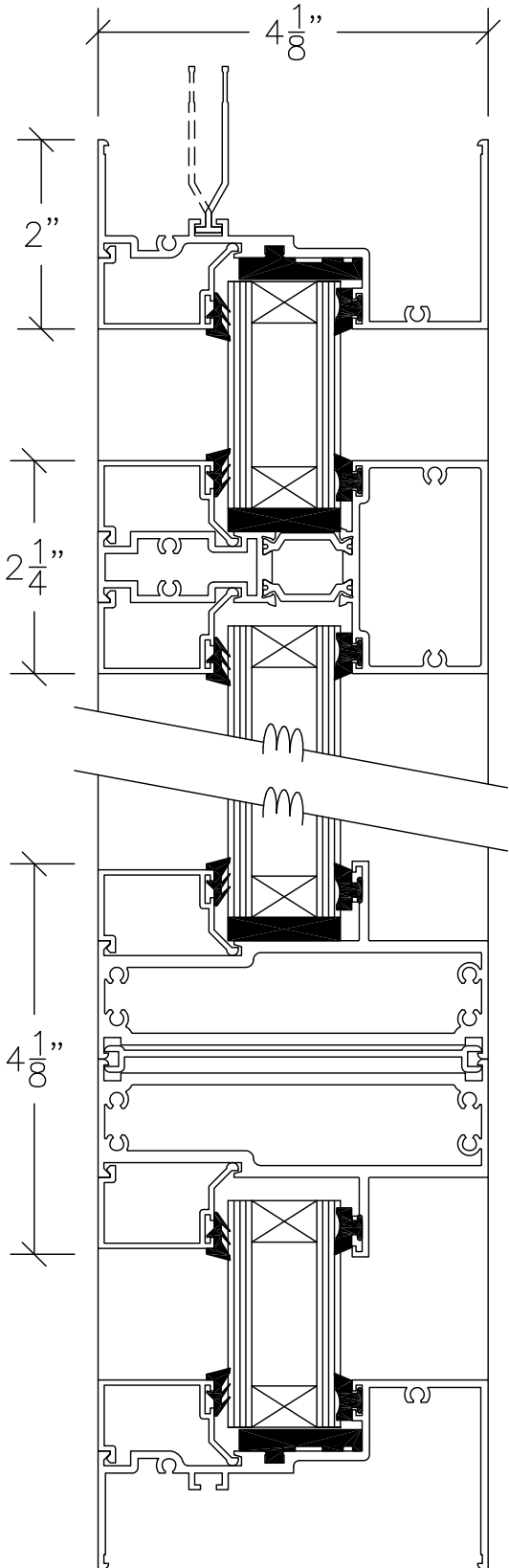
1503 W. San Pedro St., Gilbert, Arizona 85233

VOICE: 480-892-2600 / FAX : 480-892-0951

A3

DATE:
10/6/10

R:\DRAWINGS\BROGPAGES\A-B\A3.DWG



①

②

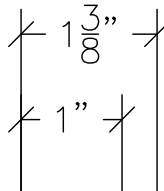
③

①

VERTICAL / HORIZONTAL TUBULAR STEPPED MULLION

HEAVY DUTY MULLION

TYPICAL PERIMETER FRAME



NW CONFIGURATION
*NU-WALL

NO CONFIGURATION
*NAIL-ON

#404

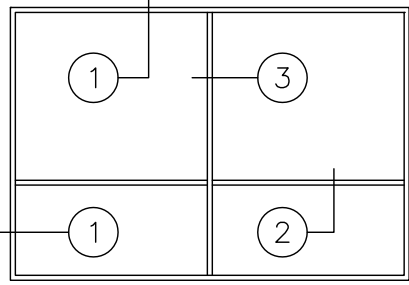
#452

#410

#1447

#407

#446



4 1/8" PERIMETER FRAME & MULLION DETAIL - DOUBLE GLAZED 6mm GLASS W/ OFFSET STOPS FOR LARGE OPENINGS

SCALE: HALF SIZE