



WINDOW SYSTEM

SERIES 400 - WINDOW WALL

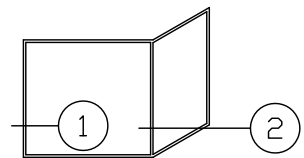
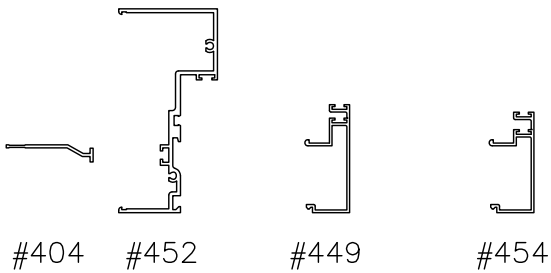
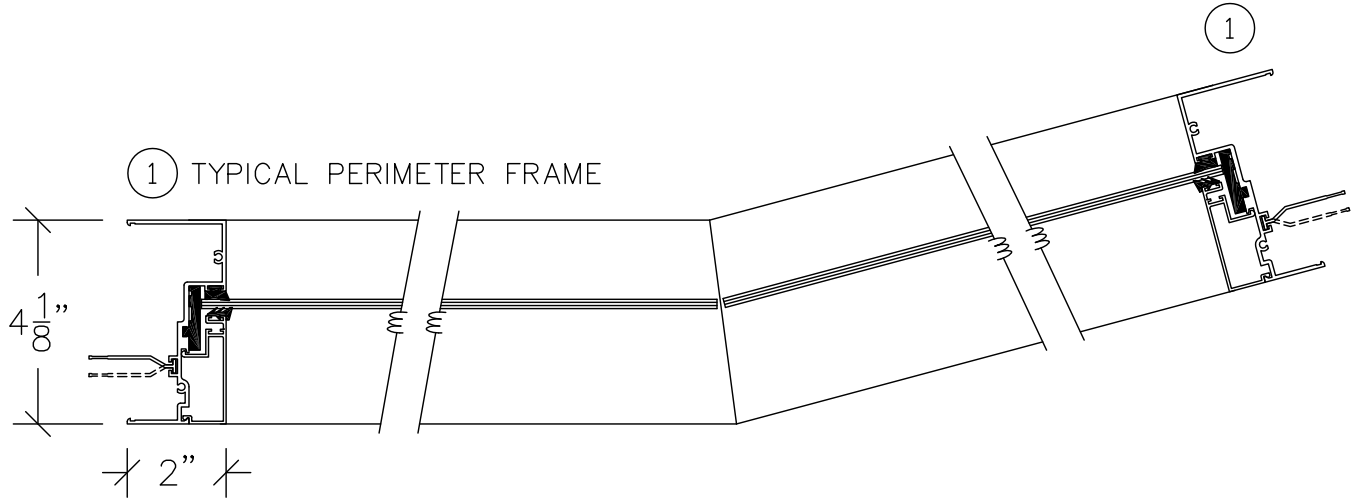
1503 W. San Pedro St., Gilbert, Arizona 85233

VOICE: 480-892-2600 / FAX : 480-892-0951

A10

DATE:
6/1/08

R:\DRAWINGS\BROGPAGES\A-B\A10.DWG



4 1/8" HORIZONTAL BOW PERIMETER FRAME DETAIL
DOUBLE GLAZED
SCALE: QUARTER SIZE