



WINDOW SYSTEM

SERIES 711 - SINGLE HUNG WINDOW - C-20

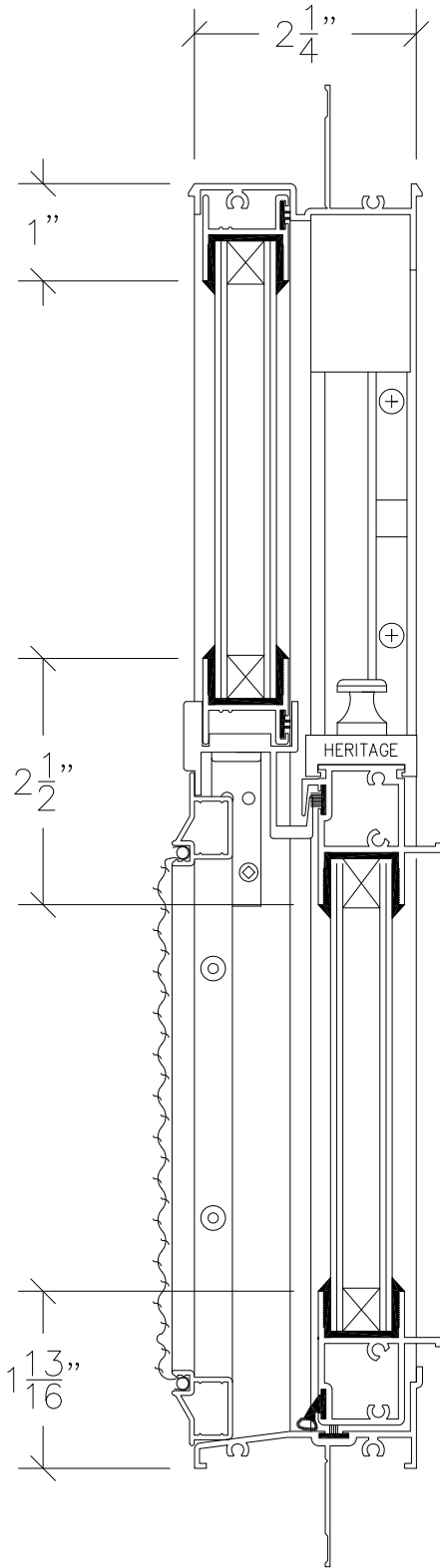
1503 W. San Pedro St., Gilbert, Arizona 85233

VOICE: 480-892-2600 / FAX : 480-892-0951

H3

DATE:
6/1/08

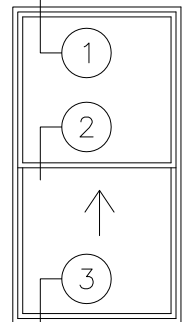
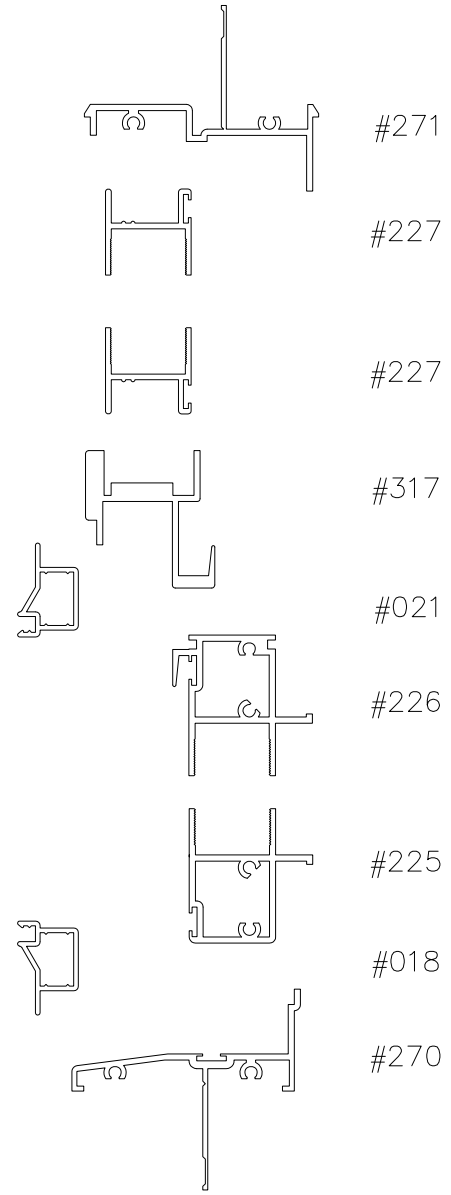
R:\DRAWINGS\BROPAGE'S-G-H\H3.DWG



① SINGLE HUNG HEAD

② MEETING RAIL

③ SINGLE HUNG SILL



VERTICAL SECTION THROUGH SINGLE HUNG
DOUBLE GLAZED

SCALE: HALF SIZE