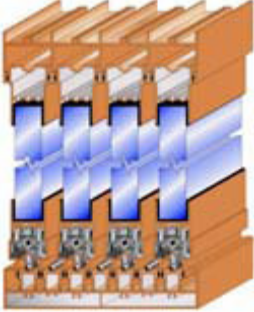

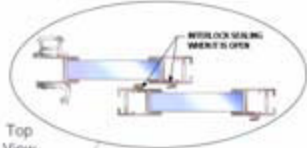
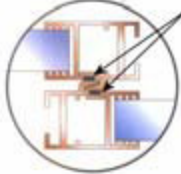



Date: February 25, 2009

HERITAGE MULTI SLIDING GLASS DOOR

FEATURES	BENEFITS	IMAGES
<i>Advanced Design</i>		
<p>High Performance Sill</p>	<ul style="list-style-type: none">• Collects water underneath the visible sill surface and drains to the exterior• Stops penetration of bugs and air infiltration by self closing weep holes• Both sill ends are silicone filled so that sill ends are water tight• Very sturdy sill	 
<p>High Performance Interlock with concealed double seals</p>	<ul style="list-style-type: none">• Vent interlock stiles are tubular and have 3-screw corners	
<p>All rails penetrate top and bottom stiles telescopically</p>	<ul style="list-style-type: none">• High performance against air and water penetration	 <p>Double seals on interlocks are concealed when panels are open. No unsightly exposed weatherstripping. LIKE NO OTHER DOOR!</p>
<p>All top and bottom rails are tubular</p>	<ul style="list-style-type: none">• Strong and rigid panels• Rigid and square corners	
<p>Bottom rails have penetrating two flanges which penetrate the sill to seal tightly on both sides</p>	<ul style="list-style-type: none">• Top sealing performance against dust, water, bugs	

Rollers are stainless steel and have tandem wheels.

Doors higher than 8ft have 4 wheels at each end and utilize 3 inch stainless steel rollers.

Vent rolls on a self lubricating composite rod

Two handle options

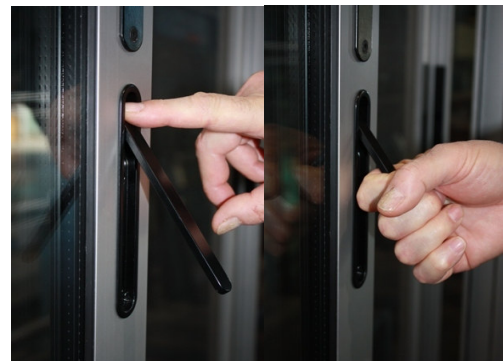
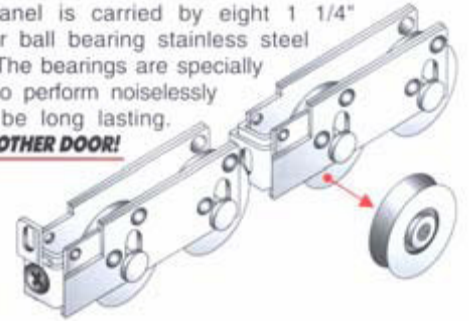
- Fully enclosed wheel bearing design. Due to totally sealed ball bearings, noise level is minimized when it rolls

- 1st in the world. Glides very quietly

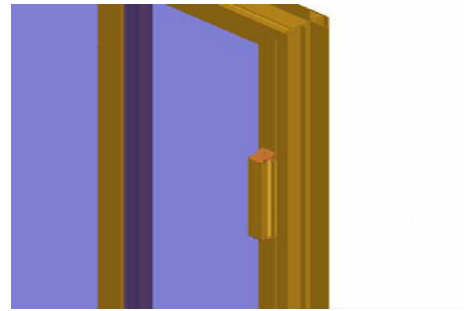
- Flush mount is excellent for pocket door applications

Each panel is carried by eight 1 1/4" diameter ball bearing stainless steel rollers. The bearings are specially sealed to perform noiselessly and to be long lasting.

LIKE NO OTHER DOOR!



- Regular Heritage handle is patented and is one of the most secure, functional, practical and contemporary looking handle-locks.

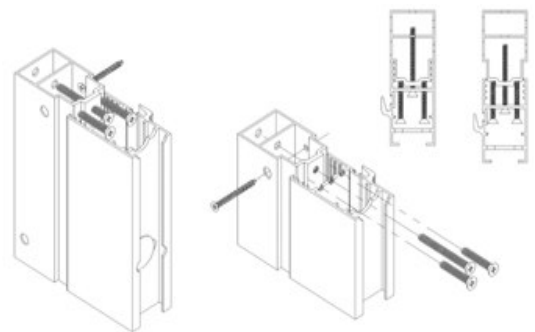


- Unique design.

Pocket is closed by a floating and removable jamb

Adjustable and removable pocket interlock

- A new innovation by Heritage: the last panel can be removed for repairs or reglaze in the future without extensive stucco repair costs.




90 and 270 degree corner doors

- Integral corner stiles achieve easy closing and opening.

Security

Primary lock is extremely secure; *passed forced entry test at twice the force required*

- Safety against forced entry

<p>Extruded exterior handle is much harder to pry out than the die-cast exterior pulls others use.</p> <p>New flush mount handle has a multi-point lock that throws a dead-bolt in the head and sill of the door.</p>	<ul style="list-style-type: none"> • Safety against forced entry • Safety against forced entry 	
---	--	--

Performance

<p>Self Lubricating Composite Rod</p> <p>Double Weather Seal in Interlocks and in sill</p> <p>Double seal insulated glass with steel spacers</p>	<ul style="list-style-type: none"> • Very quiet and easy operation of panels • High degree of stopping water, air, dust and bug penetration • Non-pro rated 10 year seal warranty on insulated glass 	
--	---	--