



SERIES 151 - MULTI-SLIDING GLASS DOOR - MSD

1503 W San Pedro St, Gilbert, Arizona 85233 : (480) 892-2600

E-Mail: Info@HeritageWindows.com

FAX : (480) 892-0951

INSTALLATION INSTRUCTIONS

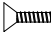
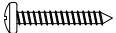
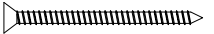
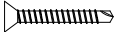
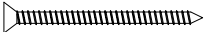
1

12/2011

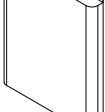
R:\MANUALS\INSTALL\MSD.DWG

HARDWARE KITS

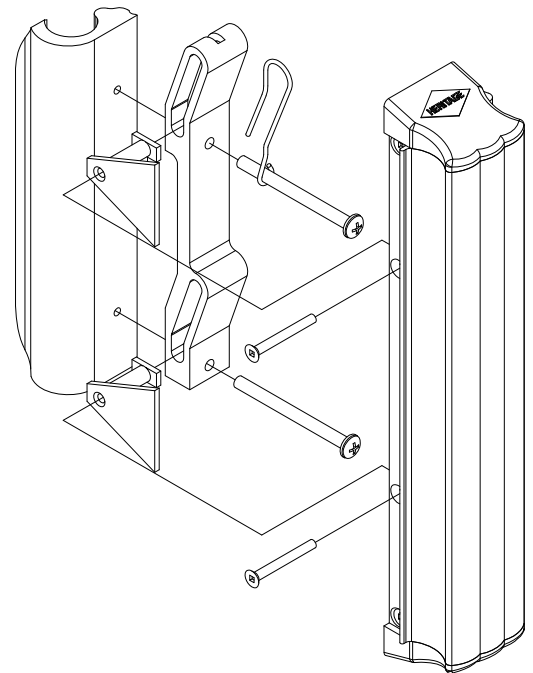
1. Tools Required: Tape measure, bubble type level, Phillips screw-driver, hand drill with 1/8" dia. drill bit, shims, sealant (acrylic seam sealer, S/M #5504, PERMATEX #3H or equal) and caulking (conforming to Federal Specification TT-S-1657).
2. Following hardware supplied with door perimeter frame assembly (anchors to mount doors into masonry openings are not provided):

<u>Part#</u>	<u>Quan.</u>	<u>kit</u>	
137			Door Handle Assembly (1 with 0X, XX0, XXX0 and 2 with OXX0 doors.)
358	5		#12-24x1/2" torx ms (for floating jamb)
339	16		#8x1" pan head screws (for frame assembly)
325	20		#10x2" flat head, SS, QPQ plated (for installation)
326	2		#8x1" flat head self-tapping screws (for fixed panel)
325	8		#10x2" flat head, SS, QPQ plated (for pocket interlock)

Note: In certain applications, some screws may not be required.

162 1  Outside Handle Bumper
(Not needed in Flush Mount Handle option)

411 1  Lock Keeper
(Flush mount handle applications only)



Handle Assembly:

Interior Handle w/lock & Exterior Pull

MOUNT: 2ea. #10-32 X 2.25" PAN HEAD SCREWS

HANDLE: 2ea. #6-32 X 1.250" FLAT HEAD SCREWS

SUGGESTED MASONRY/CONCRETE MOUNTING:

You will need 12 ea Flat Head screws and they are NOT provided in the kit due to diversity of masonry openings with conventional block, foam block, concrete and others. You must obtain your own installation screws. If you want to use lead or plastic insert anchors in the block, you'll need to use different screws. In many good cases, #12X2 1/4 flat head concrete screws (TapCon or ConLok) may be used in lieu of anchors. They are optionally available from HERITAGE.



PERIMETER FRAME ASSEMBLY – NO POCKET

1. Measure width and height of opening at corners and center. The opening should be $1/2$ " larger than the net width and $5/8$ " larger than the net height of the door frame. Opening should be square and plumb and floor should be smooth, flat and level. Verify squareness by having equal diagonal measurements across opposite corners.
2. Assemble perimeter frame head, jamb and sill by using eight #8x1" pan head screws provided (Fig 2-A).
3. Two ends of the hollow sill are filled with silicone. Bottom ends of each jamb are gasketed. Remove the paper on the gaskets.
4. Refer to decals on jambs for seam sealing instructions. Apply a heavy bead of seam sealant inside and outside of two bottom corners.

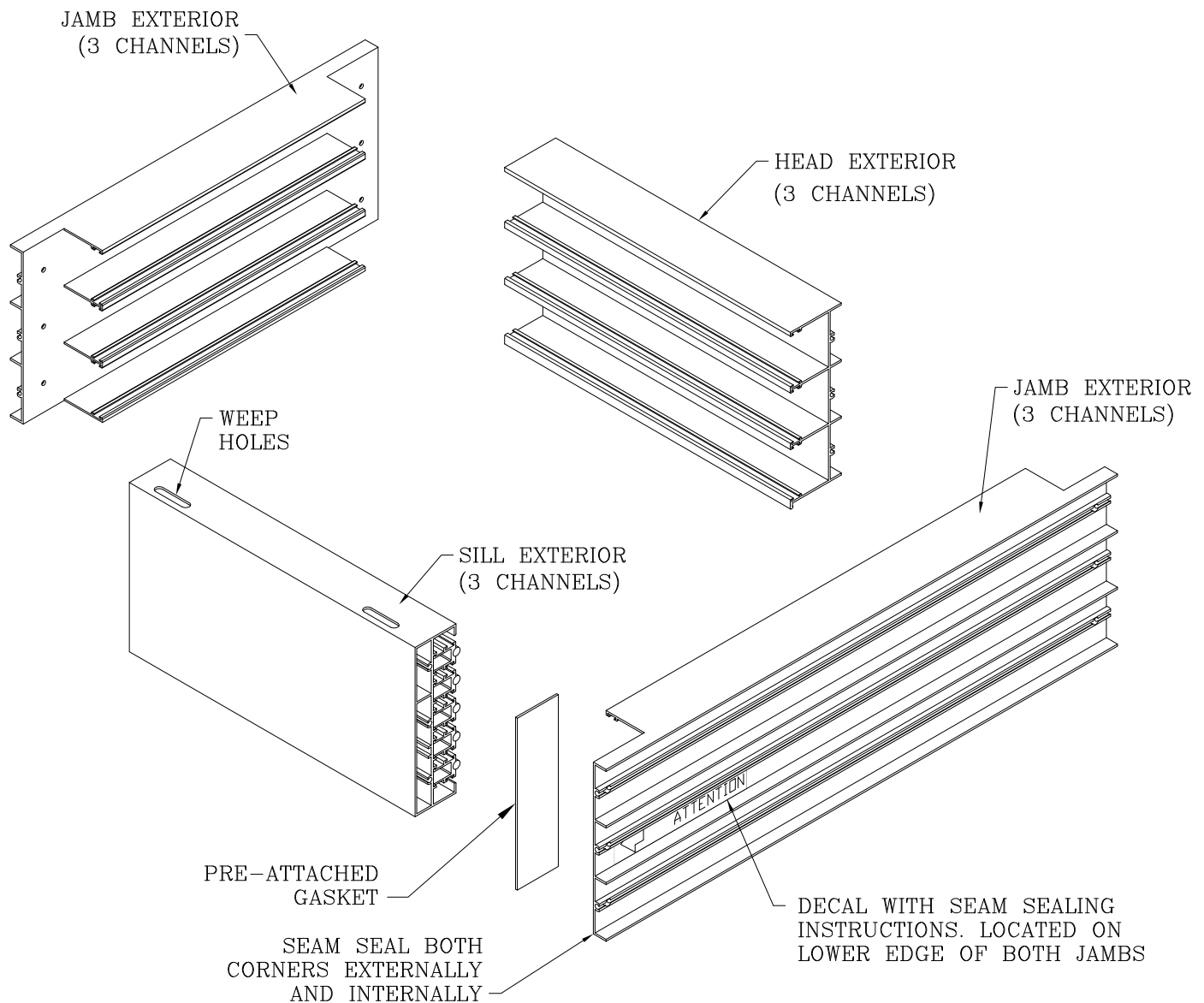


Fig 2-A



PERIMETER FRAME ASSEMBLY – WITH POCKET

1. Measure width and height of opening at corners and center. The opening should be $\frac{3}{4}$ " larger than the net width and $\frac{5}{8}$ " larger than the net height of the door frame. Opening should be plumb and floor should be smooth.
2. Assemble perimeter frame head, locking jamb and sill by using four #8x1" pan head screws provided. (Fig 2A-A)
3. There is one jamb which goes to the locking side. The other end of sill and head are capped with short pieces of jamb metal and they should be secured to the pocket wall. You can use the pocket interlock as a guide to align the sill and head. The exterior wall of the head is flat and the interior wall has a return lip. Fasten the head to the beam by using #10x2 self tapping screws. Use shims between the head and the beam. Temporarily install the pocket interlock to the inside edge of the exterior pocket wall. Make sure that they are plumb. Set the perimeter frame (#2 above) against the pocket interlock that was temporarily installed.
4. Two ends of the hollow sill are filled with silicone. Bottom ends of each jamb are gasketed. Remove the paper on the gaskets.
5. Refer to decal on the jamb for seam sealing instructions. Apply a heavy bead of seam sealant inside and out of two bottom corners.

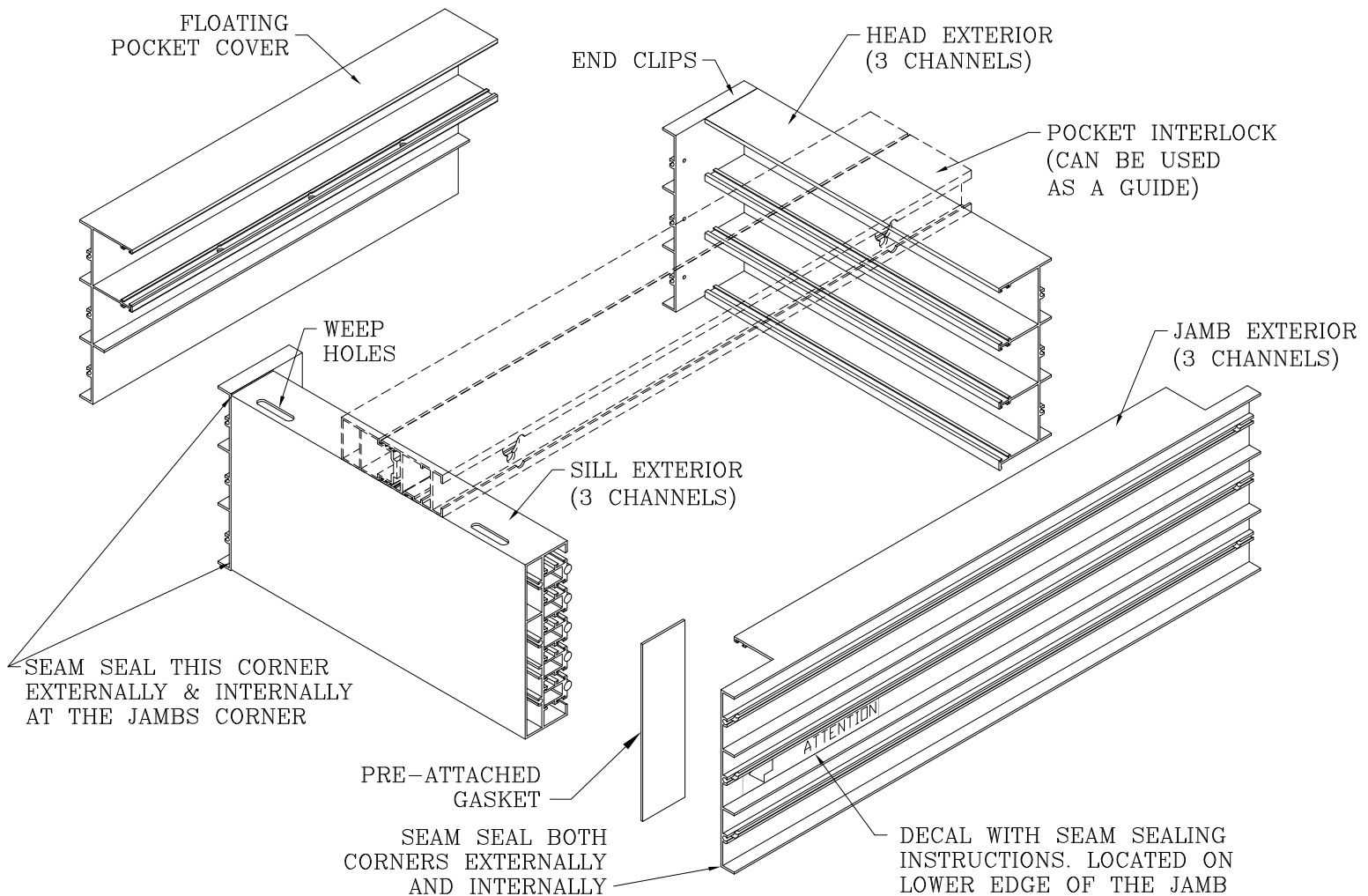
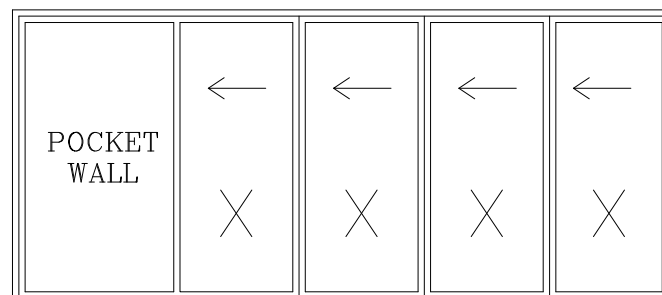
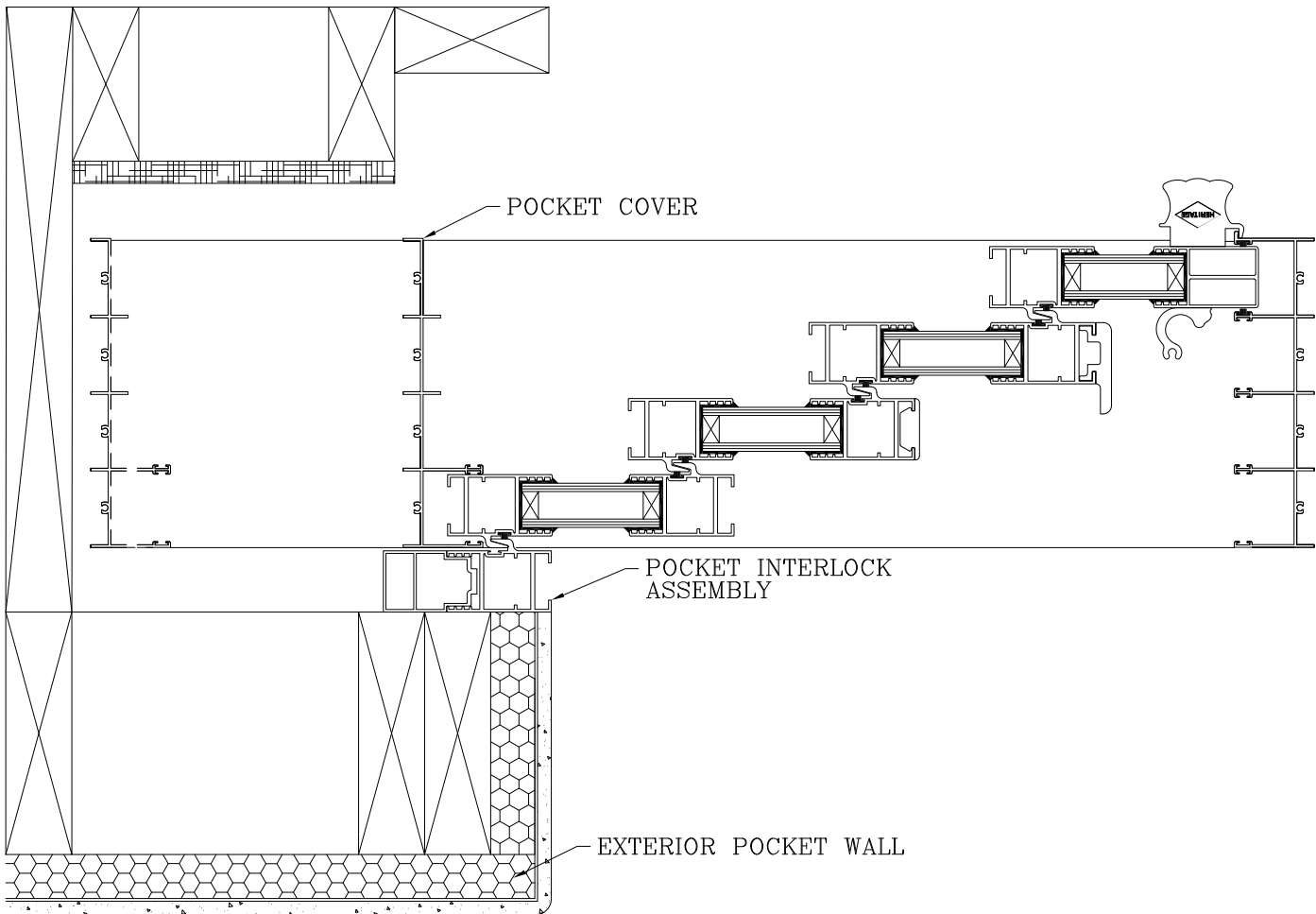


Fig 2A-A



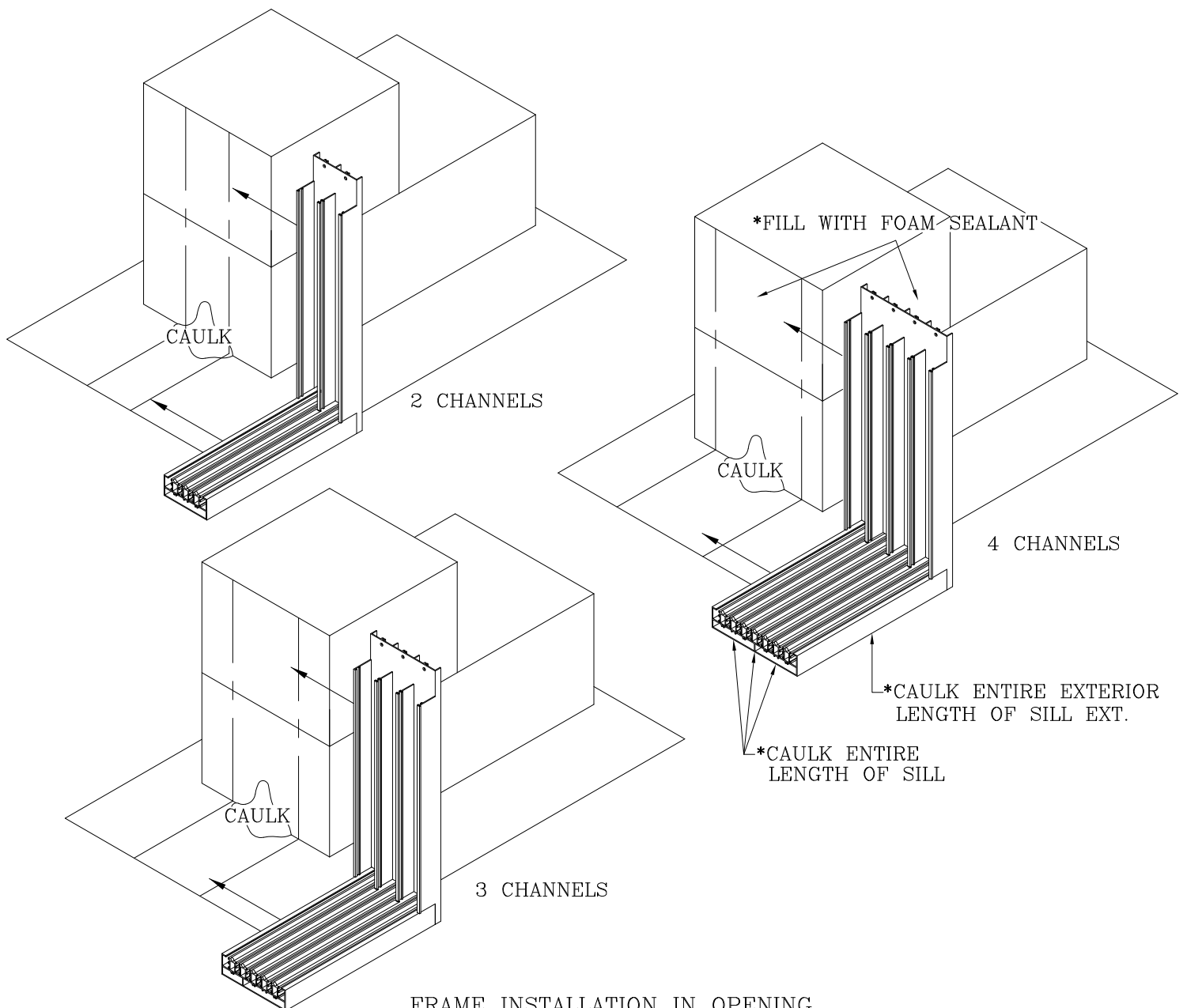
POCKET FRAMING

1. MSD (Multi Sliding Door) usually is installed into wide spans. Therefore, the framing must be designed and engineered by professional people. If the pocket interlock is not straight, the last panel will not interlock.
2. HERITAGE provides conceptual drawings to indicate the RO (Rough Opening) dimensions and distances between rough framing. Please ask your sales person to provide the dimensioning drawings.



INSTALLATION OF PERIMETER FRAME IN THE OPENING

1. Ask HERITAGE to provide pocket wall dimensioned drawing if there will be pocket(s). Locate the perimeter frame away from external pocket wall as per Heritage's dimensioned drawing.
2. Apply a single, continuous, overflowing bead of caulk along the entire underside length of the sill in the recess adjacent to the innermost edge.
3. Apply a large bulb of caulking at each jamb to sill corner.
4. Insert the perimeter frame into the opening. Square the frame until both diagonal measurements across opposite corners are equal.
5. Insert shims into any gaps between jambs and the wall.
6. Each jamb has 3/16" dia. countersunk holes. Use #10X2" flat head self-tapping screws with shims between jambs and the opening. If the opening is masonry, use special masonry screws which are not provided.
7. Seal gap/rough opening space with non-expansive foam sealant per manufacture's directions. Dow Pro-Great Stuff Foam Sealant recommended.



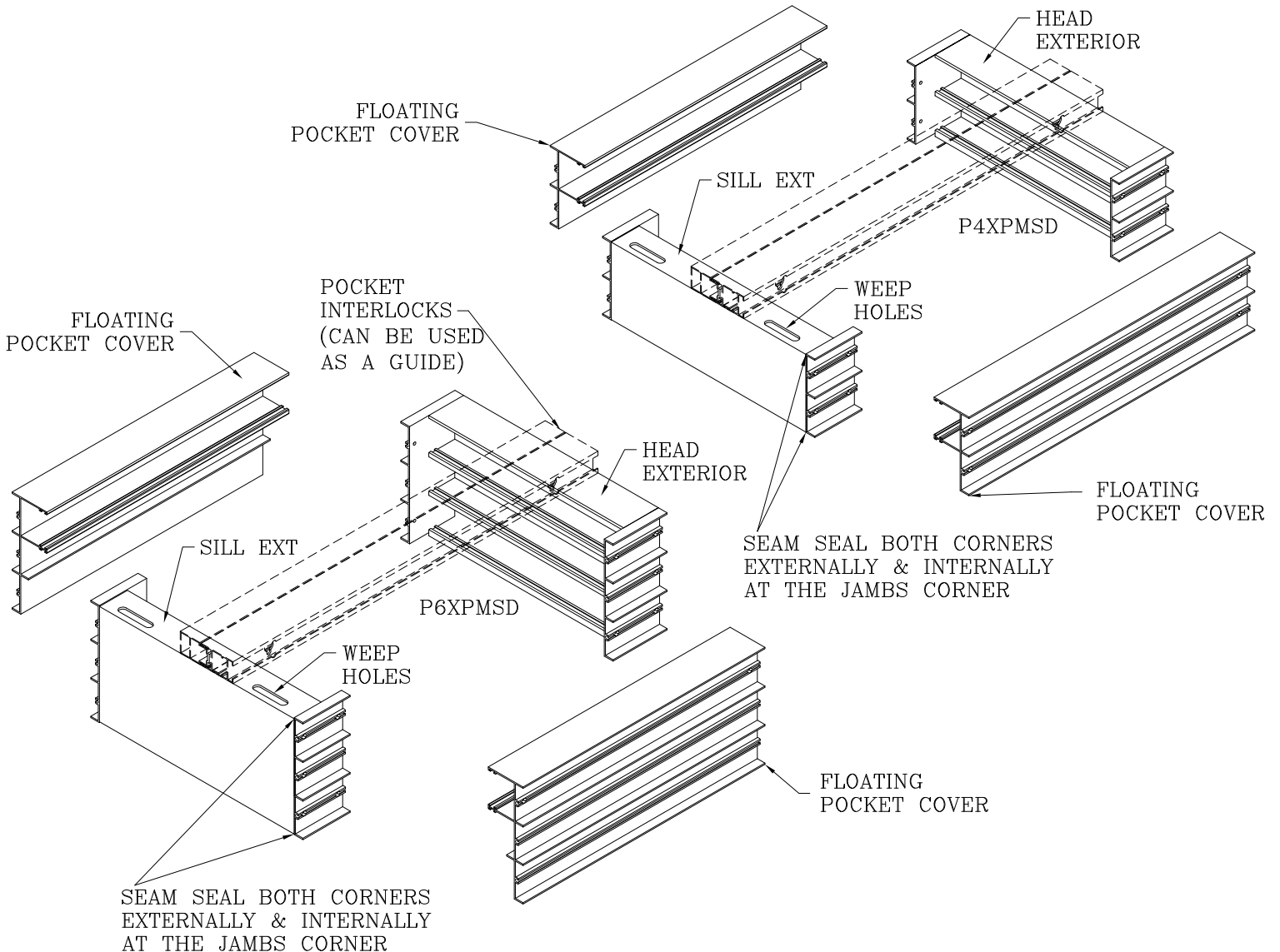
FRAME INSTALLATION IN OPENING

* APPLIES TO ALL EXAMPLES



INSTALLATION OF HEAD&SILL IN THE OPENING (P4XPMSD, P6XPMSD, P8XPMSD WITH 2 POCKETS)

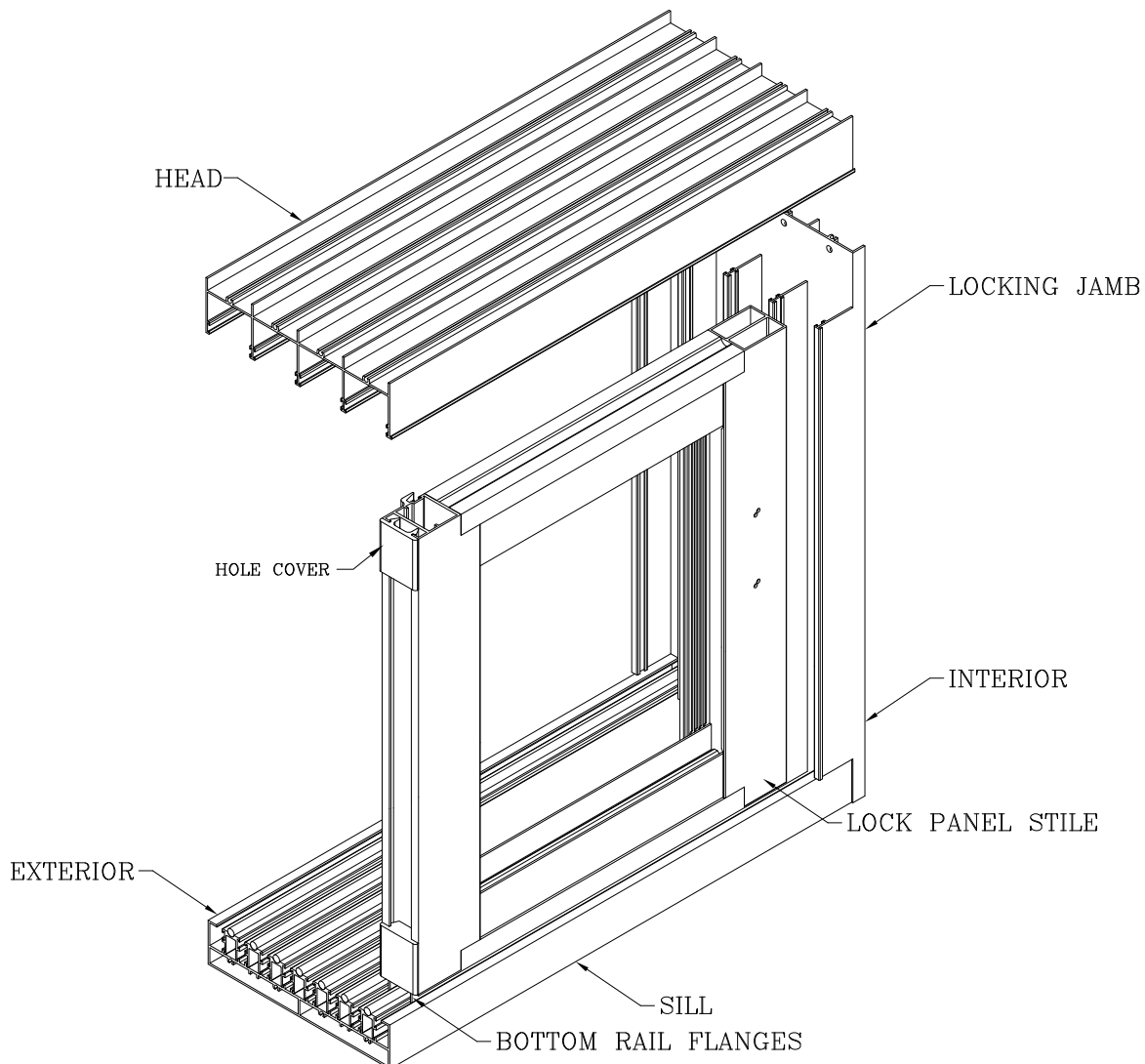
1. Measure width and height of opening at corners and center. The opening should be $\frac{3}{4}$ " larger than the net width and $\frac{5}{8}$ " larger than the net height of the door frame. Opening should be plumb and floor should be smooth.
2. Temporarily install the pocket interlocks to the inside edge of the exterior pocket wall. Set the sill against pocket interlocks. Level the sill. The ends of the sill are capped with short pieces of jamb metal and they should be fastened to the pocket walls on each end by using #10x2 self tapping screws.
3. Install the head by setting it on top of the notch of the pocket interlocks. Level and plumb the head to the sill. The exterior wall of the head is flat and the interior wall has a return lip. Fasten the head to the beam by using #10x2 self tapping screws. Use shims between the head and the beam. The ends of the head are capped with short pieces of jamb metal and they should be fastened to the pocket walls.
4. Head & Sill must be perfectly aligned and have the correct distance between each other, otherwise panels will not slide right or can fall off and cause injury and damage. Check alignment with a plumb bob.





PANELS' INSTALLATION

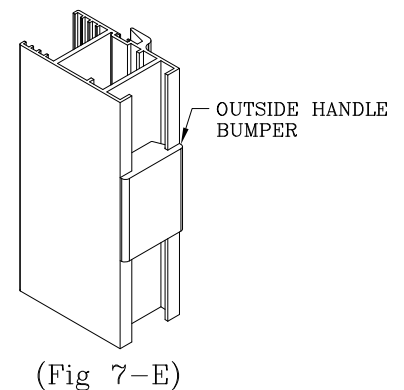
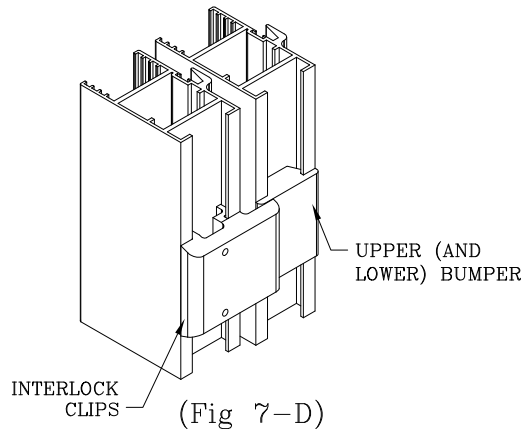
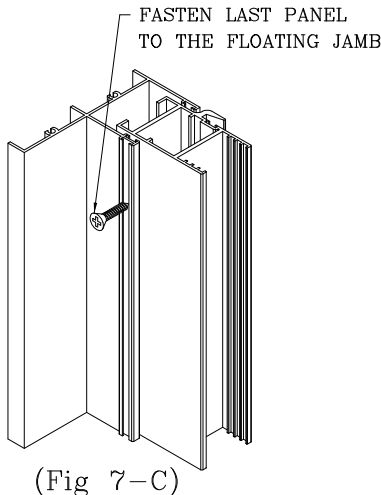
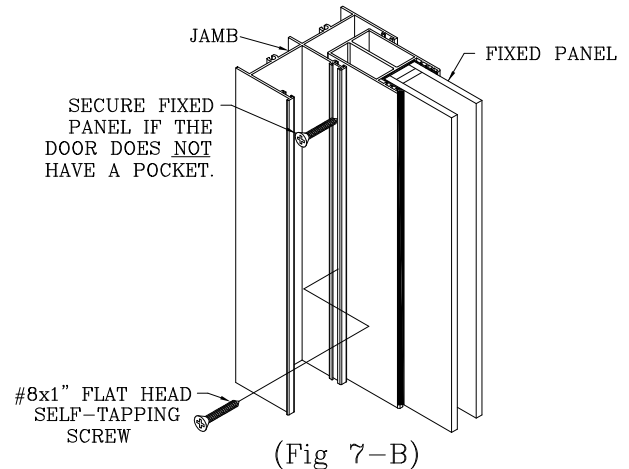
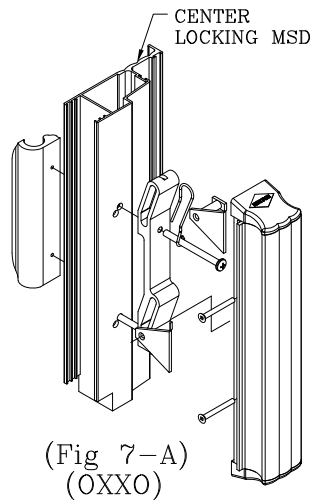
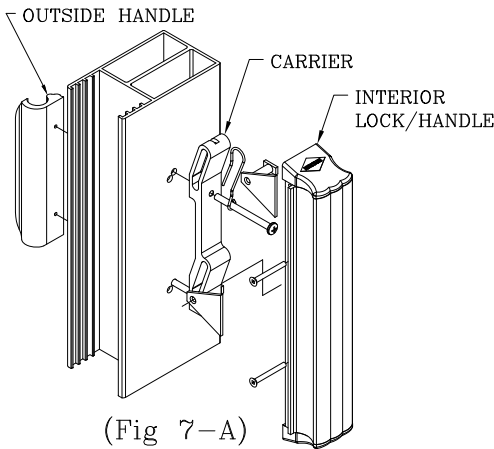
1. In a PXXXX or PXXX or PXX (4, 3 & 2 panel doors), all panels slide. During the installation, the protection of the bottom rails with rollers is critical. They have extended flanges. Their straightness and flatness will provide the panels' smooth sliding and protection against air, water and bug penetration. Before placing panels into tracks, determine their exterior/interior orientation; otherwise they do not interlock. Each extra vent handling is an increased risk to the bottom rail flanges and panel glass. All panels are provided with TOP OUTSIDE labels. Refer to labels and pg.5 top view drawing for correct panel exterior orientation.
2. Remove the pocket interlock that was set in temporarily to align head and sill.
3. Lock panel is different than other panels which are interchangeable among each other. Lock panel has a stile which has two rows of two holes drilled for the lock. Install lock panel first. It will be in the innermost head channel and sill track, from exterior.
4. Install one of the other panels. Lift it up and swing it into the next track of the perimeter frame and swing into the next sill track. Repeat the process with remaining panels. Make sure that all labels on the glass surface face to the exterior. Thus panels will interlock with each other. Otherwise they will not function properly.
5. Square the lock panel to the jamb by adjusting the bottom rollers with a Philips screw driver through the bottom holes in stiles.





PANELS' INSTALLATION CONT.

6. MOUNTING LOCKING HANDLE: Mount the carrier from the inside with screws provided through the pre-drilled holes in the lock panel lock stile into the outside handle. Position outside handle with the finger recess toward the jamb. Adjust lock engagement with the jamb by repositioning the inside lock handle. (Fig. 7-A)
7. Lock the handle/lock to the jamb. Push all panels toward the other jamb to interlock them against each other. In a OXXX, OXX doors, fixed panel does not slide. Therefore, fixed panel must be secured into the jamb from the inside with two #8x1" self-tapping screws through the jamb fin into the backstile. Locate one screw at the top and bottom (Fig. 7-B)
8. In all MSD pocket doors, install floating jamb by centering it to the backstile of the last panel. First drill through floating jamb holes. Then use #12-24x $\frac{1}{2}$ " Torx MS screws to fasten it. (Fig. 7-C)
9. Interlock clips will only be provided on necessary configurations. If a panel contains black interlock clips, locate that panel in the second head/sill track. Adjust one interlock clip to the top of the panel and the other to the bottom. (Fig. 7-D)
10. Insert the outside handle bumper to the panel that interlocks to lock panel, (2nd panel). Locate it approximately 34" off the floor to be bumped by Outside Handle. (Fig. 7-E)





SERIES 151 – MULTI-SLIDING GLASS DOOR – MSD

1503 W San Pedro St, Gilbert, Arizona 85233 : (480) 892-2600

E-Mail: Info@HeritageWindows.com

FAX : (480) 892-0951

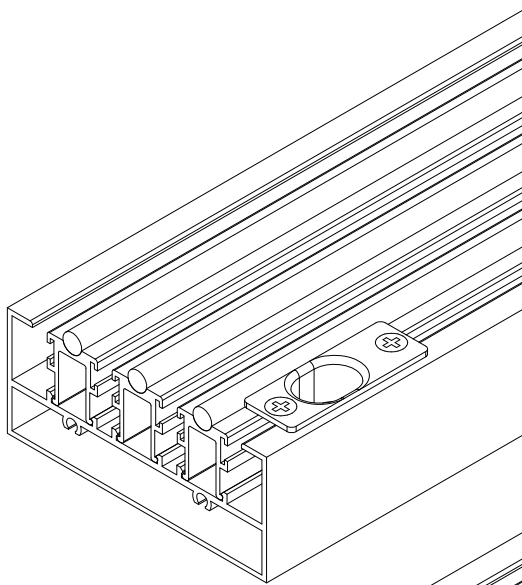
INSTALLATION INSTRUCTIONS



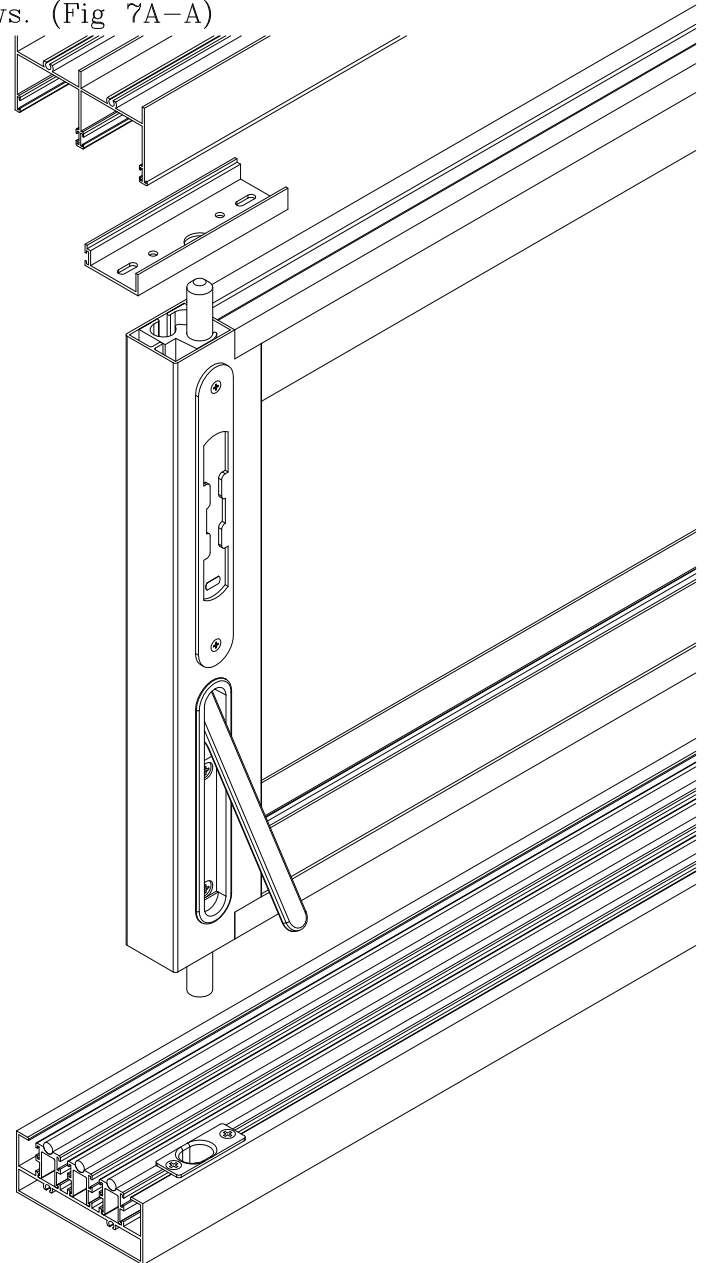
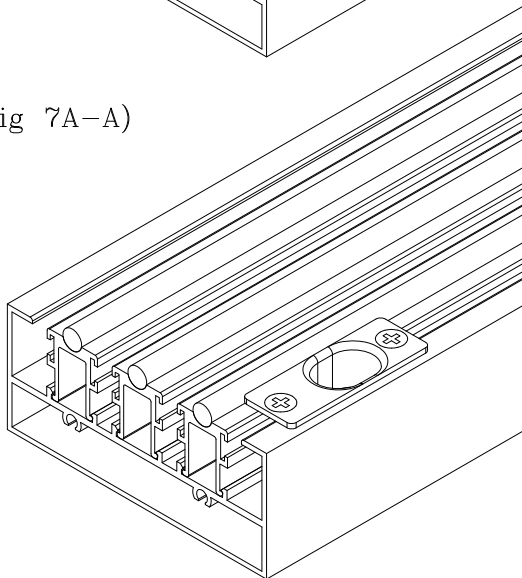
R:\MANUALS\INSTALL\MSD.DWG

FLUSH MOUNT HANDLE

1. HERITAGE's proprietary flush mount handle and lock comes factory assembled.
2. The head and sill will have two different keepers (receivers).
3. The sill keeper is a molded part. A tight engagement of the rod to this keeper will ensure that the panels will not move. Engage the lock stile to the jamb as close as possible. Throw the rods to sill and head. If they do not engage, do not force them. You need to adjust the lock keepers. Make sure that they engage to the sill hole snug against the sliding direction of the vent. P/N 160 keeper can be moved in either direction about 1/8". Its hole location is asymmetric and by reversing it will help you gain new location if it is not snug (Fig 7A-A). After determining the exact location, run 2 ea. 326 screws.
4. Push all panels toward the other jamb to interlock them against each other. Refer to page 7, item 7. (Fig 7-B)
5. If MSD is a pocket door, push all panels away from the pocket. Secure the pocket panel against the pocket interlock. Refer to page 7B. (Fig 7B-A)
6. Install 2 ea. 326 self tapping 1" flat head screws. (Fig 7A-A)



(Fig 7A-A)





PANELS' INSTALLATION CONT. (POCKET INTERLOCK)

1. In all MSD-Pocket Door installations, first lock the handle/lock to the jamb. Push all panels toward the pocket, interlocking them together. Insert the pocket interlock assembly by sliding it between the exterior pocket wall and the last panel's stile. Attach the pocket interlock assembly to the wood column. Make sure that the lock on lock/handle is engaged on the jamb and all panels are interlocked to each other.

Next, make sure the interlock mount is located on the straightest and strongest section of the wood column. The mount must be plumb. Use #10X2 self-tapping screws to fasten it to the wood column.

The pocket interlock assembly has an adjustment capability of $7/16$ ". This adjustment will allow you to decrease any interlocking gaps and also remove the last panel from the pocket in the future if any reglazing or repairs are required. To make adjustments, remove the black caps from the large holes on the interlock. There are 3 machine screws under each black cap used to adjust the interlock. 2 ea. #6 screws; used to push away, and 1 ea. #10 screw; used to pull to the interlock mount.

To push the interlocker from the mount: First loosen the #10 screw and then tighten the #6 screws.

To pull the interlock to the mount, first loosen the #6 screws and then tighten the #10 screw.

Repeat the adjustment process for every hole, then replace all of the black, hole covers. (Fig. 7B-A)

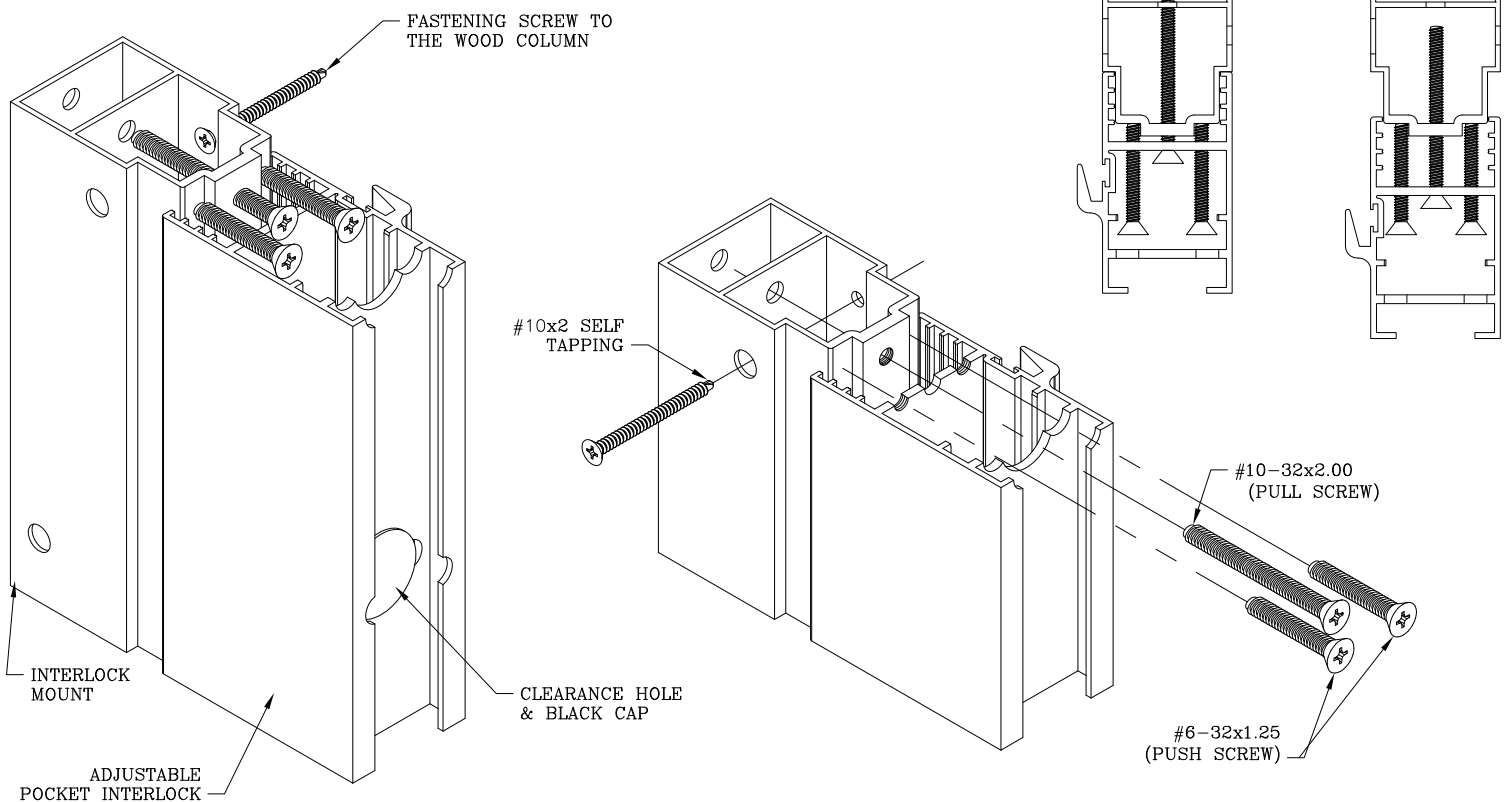


Fig 7B-A



SERIES 151 – MULTI-SLIDING GLASS DOOR – MSD

1503 W San Pedro St, Gilbert, Arizona 85233 : (480) 892-2600

E-Mail: Info@HeritageWindows.com

FAX : (480) 892-0951

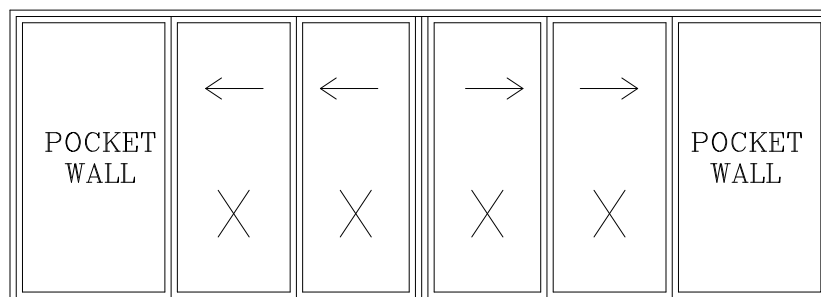
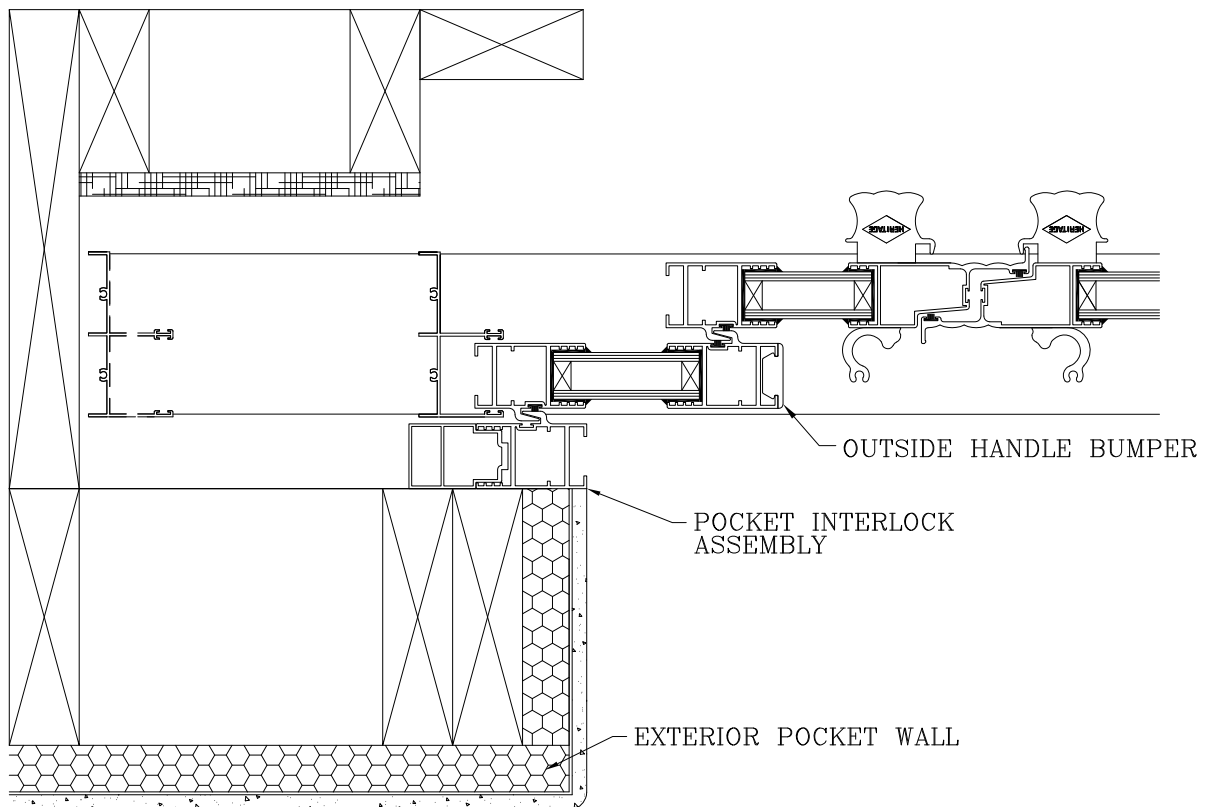
INSTALLATION INSTRUCTIONS



12/2011
R:\MANUALS\INSTALL\MSD.DWG

PANELS' INSTALLATION CONT.

11. P4XP DOORS WITHOUT SCREENS: When there are two pockets, 2 panels lock to each other at the center. The locking stiles are the same, thus unsightly astragal is eliminated. Handles are installed as per Fig 9-A. One handle is stationary. Just tighten the side screws on the Interior Lock/Handle to stop the operation.
12. Insert 1 rubber bumper on panel #2 where external handle touches.





OPTIONAL SCREENS FOR MULTI SLIDING GLASS DOOR

1. AVAILABILITY OF SCREENS IS LIMITED TO A NET FRAME HEIGHT OF 9 FEET TALL AND THE FOLLOWING CONFIGURATIONS.

<u>CONFIGURATION OF MSD</u>	<u>SCREEN LOCATION</u>	<u>SCREEN HANDLE LOCATION</u>
OXX / XXO	EXTERIOR	INTERIOR OF SCREEN
O4XO	EXTERIOR	INTERIOR OF SCREEN
PXX / XXP	INTERIOR	EXTERIOR OF SCREEN
PXXX / XXXP	INTERIOR	EXTERIOR OF SCREEN
PXXXX / XXXXP	INTERIOR	EXTERIOR OF SCREEN
P2XP	INTERIOR	EXTERIOR OF SCREEN
P4XP	INTERIOR	EXTERIOR OF SCREEN

2. THE MSD SILL IN THE OXX & O4XO CONFIGURATIONS IS AN INTEGRATED PIECE. LOCATE IT WITH SCREEN TRACK EXTERIOR DURING THE PERIMETER FRAME ASSEMBLY. IN ALL POCKET APPLICATIONS, LOCATE THE SCREEN TRACK INTERIOR OTHERWISE THE DOOR WILL NOT BE SECURED.
3. SCREEN STILES WILL HAVE BLACK FLUSH MOUNT, FINGER OPERATED, RECESSED HANDLES ON ONE SIDE AND PULL HANDLES ON THE OTHER SIDE.
4. INSTALL SCREENS TO THE TRACKS BY LOCATING PULL HANDLES AWAY FROM DOOR PANELS.
5. ADJUST STAINLESS STEEL ROLLERS.

