



FOLDING DOOR SYSTEM

SERIES 700 - FOLDING DOORS (FD1)

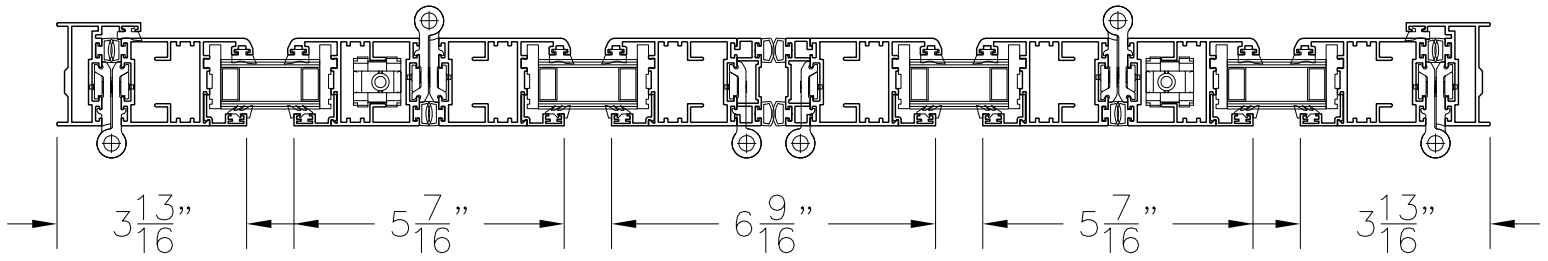
1503 W. San Pedro St., Gilbert, Arizona 85233

VOICE: 480-892-2600 / FAX : 480-892-0951

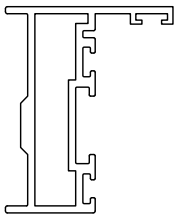
L7

DATE:
3/5/09

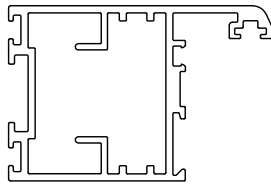
DRAWINGS\BROPAGES\L7.DWG



SCALE: 1:4



#704



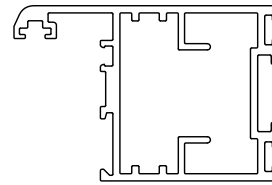
#701



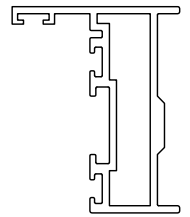
#441



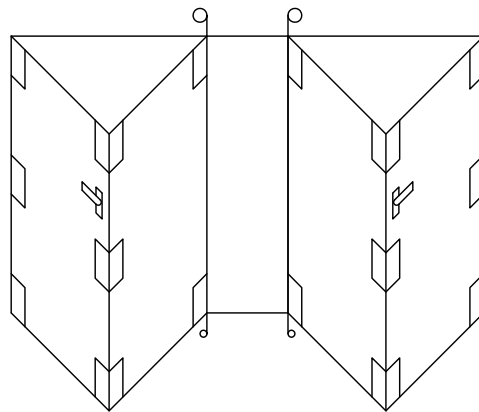
#706



#701



#704



2L2RSO
2L2RSI

HORIZONTAL SECTION THROUGH FOLDING DOOR
DOUBLE GLAZED

SCALE: 1:2